

NEPTUNE 3

Models:

NEPTUNE 3-22
NEPTUNE 3-23
NEPTUNE 3-25
NEPTUNE 3-26
NEPTUNE 3-32
NEPTUNE 3-33
NEPTUNE 3-38
NEPTUNE 3-41



Part List

English

22-02-2008

Nilfisk ALTO

Why Compromise

Table of Contents

NEPTUNE 3

Frame	3
Cabinet	5
Fuel tank	7
Water break tank	9
Electric box (motor)	11
Control safety block (a)	13
Control safety block (b)	15
Pump	17
Pump kits	20
Motor	22
Electric box (a)	25
Electric box (b)	27
Cover electric box	29
Burner unit	31
Heat exchanger	33
Distributor, ignition transformer	35
Burner head assy.	37
Basket	39
Hose reel	41
Service crane	43
Default accessories	45
Total check kits, recommended spare parts	47

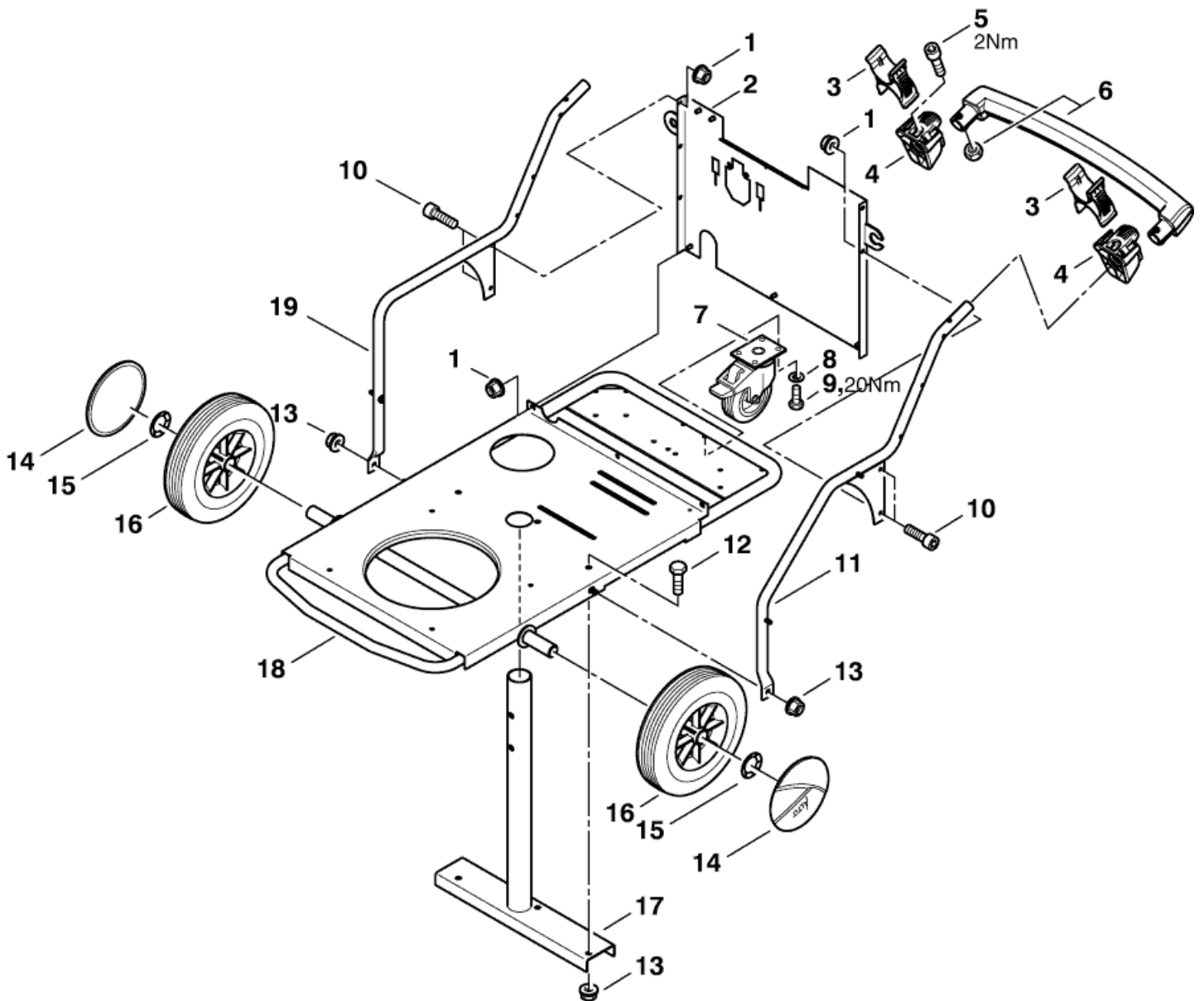
Frame

NEPTUNE 3

22-02-2008

Part List ID
NEPT301

3



Frame

NEPTUNE 3

22-02-2008

Part List ID
NEPT301

4

Pos	Part no.	Qty	Description	EAN
1	12496	7	NUT	4005337124
2	301001256	1	REAR WALL	4005337047
3	301001284	2	LANCE HOLDER	4005337042
4	301001283	2	HOLDER-LANCE	4005337048
5	5945	2	BOLT	4005337059
6	301000447	1	HANDLE PRE-ASSEMBLY	4005337022
7	301001547	1	CASTOR 100	4005337058
8	2762	4	WASHER	4005337027
9	5370	4	SCREW M8X10	4005337053
10	3913	4	BOLT	4005337039
11	301001251	1	TUBE FRAME	4005337047
12	8942	3	HEXAGONAL BOLT WAS 5274	Option 4005337089
13	61467	5	NUT	4005337614
14	301001076	2	WHEEL CAP Ø180	4005337031
15	1813799	2	LOCK WASHER	5701715031
16	301000989	2	WHEEL 250X75	4005337027
17	301001267	1	CENTRAL TUBE	Option 4005337042
18	301002481	1	BASE FRAME NEPTUNE 3+4	4005337102
19	301001252	1	TUBE FRAME	4005337047
19	301002488	1	R/H TUBE FRAME	3-25 110/1/50 *GB* 4005337103

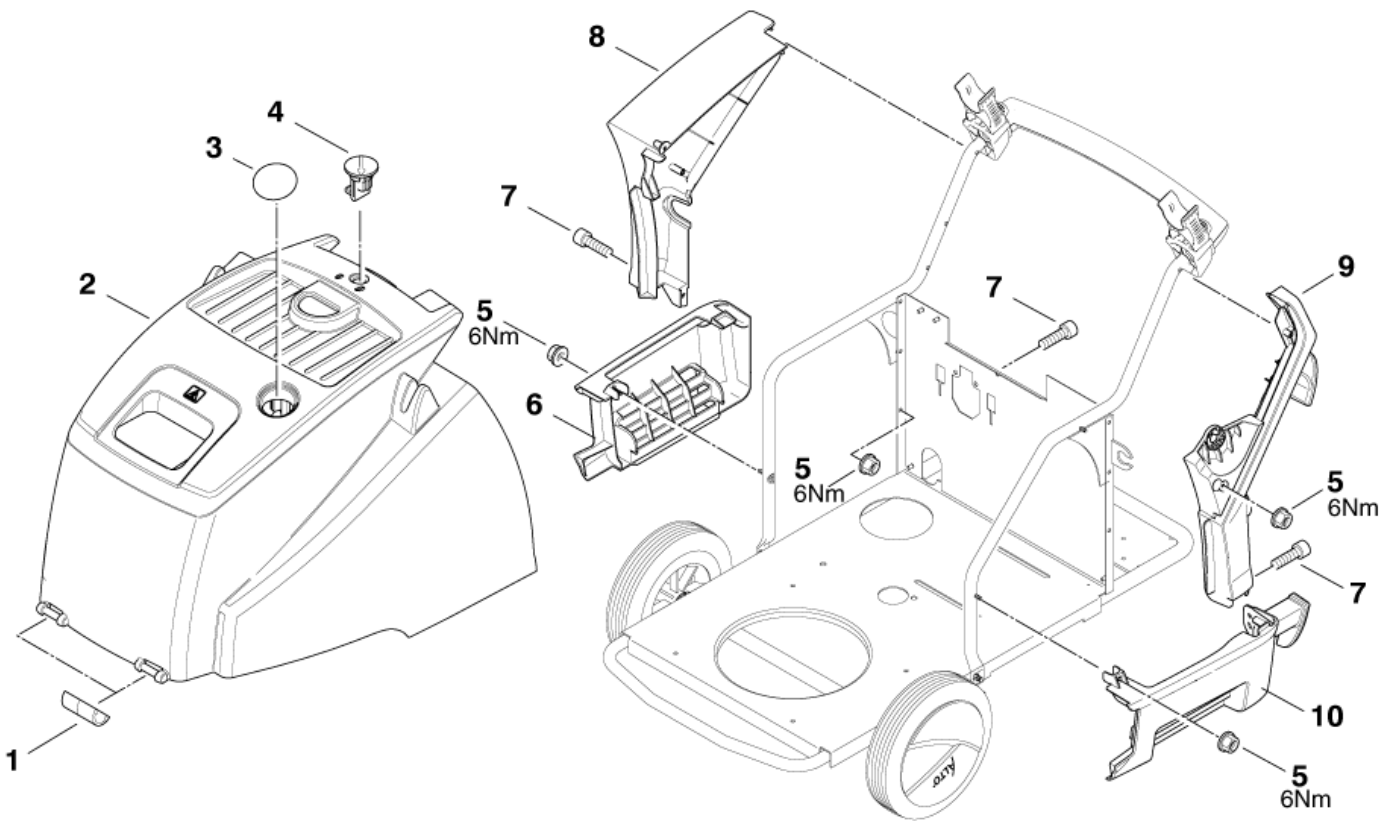
Cabinet

NEPTUNE 3

22-02-2008

Part List ID
NEPT302

5



Cabinet

NEPTUNE 3

22-02-2008

Part List ID
NEPT302

6

Pos	Part no.	Qty	Description	EAN
1	301000457	2	CABINET CLIP	4005337022
1	301001518	2	SAFETY-CLIP COVER	4005337047
			3-17 CLASSIC, 3-22 *EU*, 3-30 CLASSIC, 3-33 CLASSI	
2	301001062	1	SHROUD NEPTUNE 3 BLAU	4005337040
2	301001063	1	COVER NEPTUNE 3, BLACK	4005337040
			3-22 *EU*, 3-17 CLASSIC, 3-30 CLASSIC, 3-33 CLASSI	
3	301001682	1	COVER PLATE 63X4 BLACK	4005337066
			3-17 CLASSIC, 3-22 *EU*GB* , 3-30 CLASSIC, 3-33 CL	
4	301001261	1	LOCKING BOLT	4005337042
5	12496	5	NUT	4005337124
6	301001215	1	SIDE CABINET LOWER RIGH	4005337046
7	3913	3	BOLT	4005337039
8	301001188	1	COVERING RIGTH NEPT	4005337040
9	301001187	1	SIDE CABINET UPPER LEFT	4005337040
10	301001214	1	SIDE CABINET LOWER LEFT	4005337046

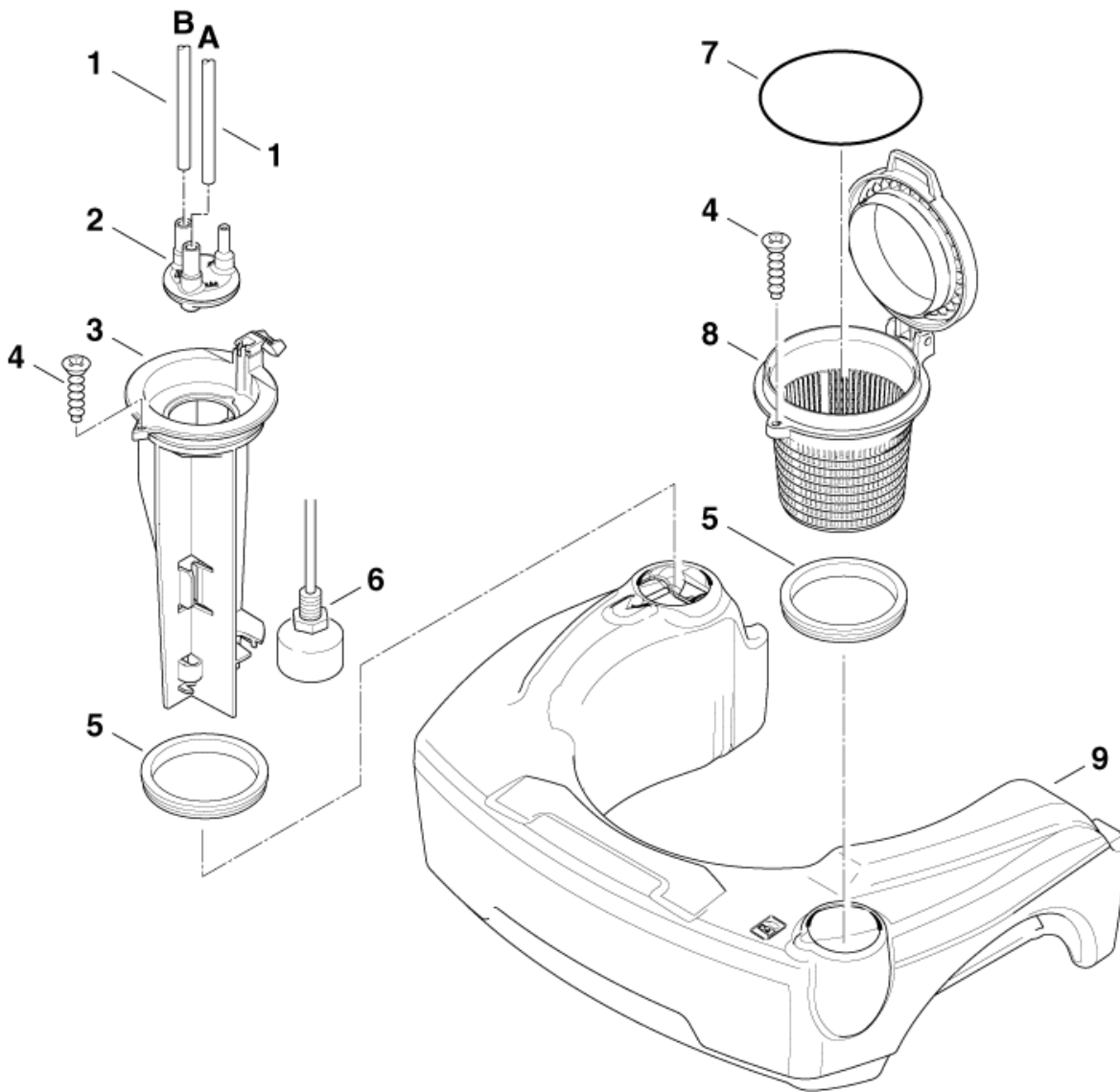
Fueltank

NEPTUNE 3

22-02-2008

Part List ID
NEPT303

7



Fuel tank

NEPTUNE 3

22-02-2008

Part List ID
NEPT303

8

Pos	Part no.	Qty	Description	EAN
1	17710	1	TUBE 6MM X 1METRE PLEASE INDICATE LENGTHS IN METRES WHEN ORDERING	4005337177
2	301001276	1	PLUG	4005337047
3	301001262	1	LEVEL SENSOR HOLDER	4005337042
4	18086	2	SCREW	4005337180
5	301000620	2	GASKET	4005337022
6	301001196	1	FLOAT SWITCH	4005337035
7	909100173	1	O-RING 56,0 X 5,0	4005337048
8	301001292	1	SCREW CAP 98,8	4005337049
9	301001208	1	FUEL OIL TANK NEP 3	4005337043

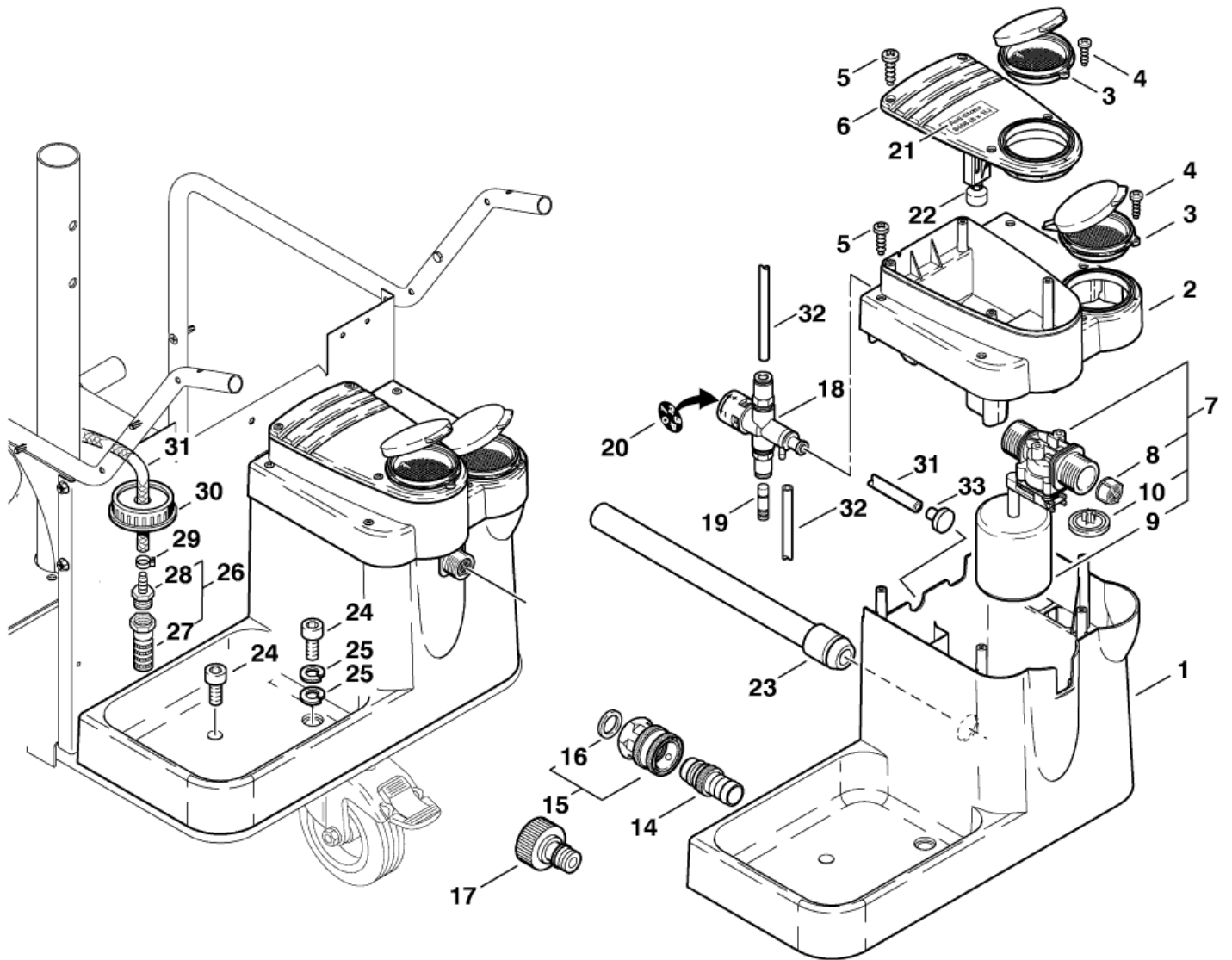
Water break tank

NEPTUNE 3

22-02-2008

Part List ID
NEPT304

9



Water break tank

NEPTUNE 3

22-02-2008

Part List ID
NEPT304

10

Pos	Part no.	Qty	Description		EAN
1	301000563	1	WATER BREAK TANK		4005337024
2	301000562	1	ANTISCALE TANK		4005337024
3	301000561	2	DETERGENT TANK COVER		4005337022
4	1805175	2	SCREW KB 0X12		5701715029
5	56727	8	SCREW		4005337567
6	301000560	1	COVER ANTI SCALE TANK		4005337024
7	63347	1	FLOAT VALVE		4005337633
8	34218	1	FLOAT VALVE FILTER		4005337342
9	62877	1	FLOAT VALVE		4005337628
10	62878	1	DIAPHRAGM		4005337628
14	1600659	1	NIPPLE FOR QUICK COUPLING	*JP*	5701715023
14	1605872	1	QUICK COUPLING NIPPLE	*US*	5701715026
15	1602945	1	QUICK COUPLING	*JP*US*	5701715024
16	3001237	1	GASKET	*JP*US*	5701715037
17	32541	1	HOSE CONNECTOR		4005337325
18	64445	1	NO-SCALE PUMPE. WAP	3-20, 3-23, 3-25, 3-26, 3-30, 3-33, 3-38, 3-41	4005337644
19	301001180	1	PLUG FOR ANTI SCALE VALVE	=>31.03.2005 3-20, 3-23, 3-25, 3-26, 3-30, 3-33,	4005337034
20	301000915	1	LABEL Ø20	3-20, 3-23, 3-25, 3-26, 3-30, 3-33, 3-38, 3-41	4005337025
21	301000932	1	LABEL "ANTI-STONE"	3-20, 3-23, 3-25, 3-26, 3-30, 3-33, 3-38, 3-41	4005337025
22	301000695	1	FLOAT SWITCH	3-20, 3-23, 3-25, 3-26, 3-30, 3-33, 3-38, 3-41	4005337691
23	301000713	1	SUCTION HOSE		4005337021
24	8892	2	SCREW M8X16		4005337088
25	2770	2	SPRING WASHER		4005337027
26	17508	1	STAINER FILTER	3-20, 3-23, 3-25, 3-26, 3-30, 3-33, 3-38, 3-41	5701715306
27	3205	1	FOOT VALVE WAS 21012	3-20, 3-23, 3-25, 3-26, 3-30, 3-33, 3-38, 3-41	4005337032
28	5283	1	HOSE LINER	3-20, 3-23, 3-25, 3-26, 3-30, 3-33, 3-38, 3-41	4005337052
29	11654	1	HOSE CLAMP	3-20, 3-23, 3-25, 3-26, 3-30, 3-33, 3-38, 3-41	4005337116
30	301001004	1	CAP FOR CHEMICAL HOSE	Empty container 10L part 80518	4005337028
31	4973	1	CHEMICAL HOSE	3-20, 3-23, 3-25, 3-26, 3-30, 3-33, 3-38, 3-41Leng	4005337049
32	909100141	1	PIPE	PLEASE INDICATE LENGTHS IN METRES WHEN ORDERING	4005337023
33	6400240	1	CHEMICAL FILTER	from 01. Mar. 2006 - up to 30. Sep. 2006	5701715097

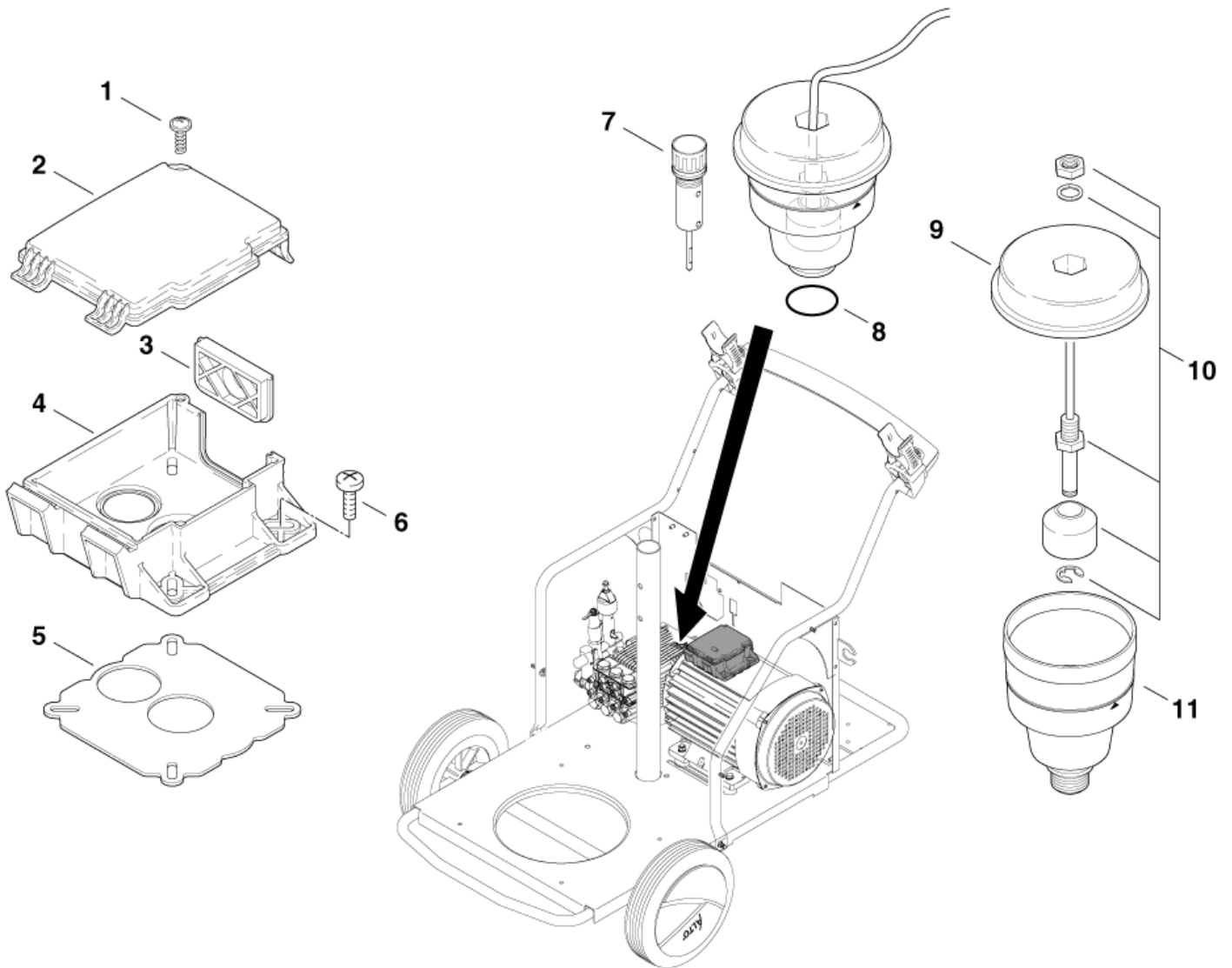
Electric box (motor)

NEPTUNE 3

22-02-2008

Part List ID
NEPT305

11



Electric box (motor)

NEPTUNE 3

22-02-2008

Part List ID
NEPT305

12

Pos	Part no.	Qty	Description	EAN
1	10028	1	STEEL SCREW FOR SYNTH MAT	4005337100
2	301000782	1	COVER	4005337022
3	17106	1	PLUG WAS 11579	4005337171
4	301000781	1	ELECTRIC BOX	4005337022
5	301000845	1	SEAL	4005337022
6	32535	4	HEXAGONAL BOLT WAS 6406	4005337325
7	301001460	1	OIL LEVEL STICK G3/8"	3-22, 3-17 CLASSIC, 3-30 CLASSIC, 3-33 CLASSIC 4005337045
8	19690	1	O'RING 9 X 1.8	3-20, 3-23, 3-25, 3-26, 3-30, 3-33, 3-38, 3-41 4005337196
9	301000615	1	COVER	3-20, 3-23, 3-25, 3-26, 3-30, 3-33, 3-38, 3-41 4005337022
10	301001196	1	FLOAT SWITCH	3-20, 3-23, 3-25, 3-26, 3-30, 3-33, 3-38, 3-41 4005337035
11	301000614	1	TANK	3-20, 3-23, 3-25, 3-26, 3-30, 3-33, 3-38, 3-41 4005337022

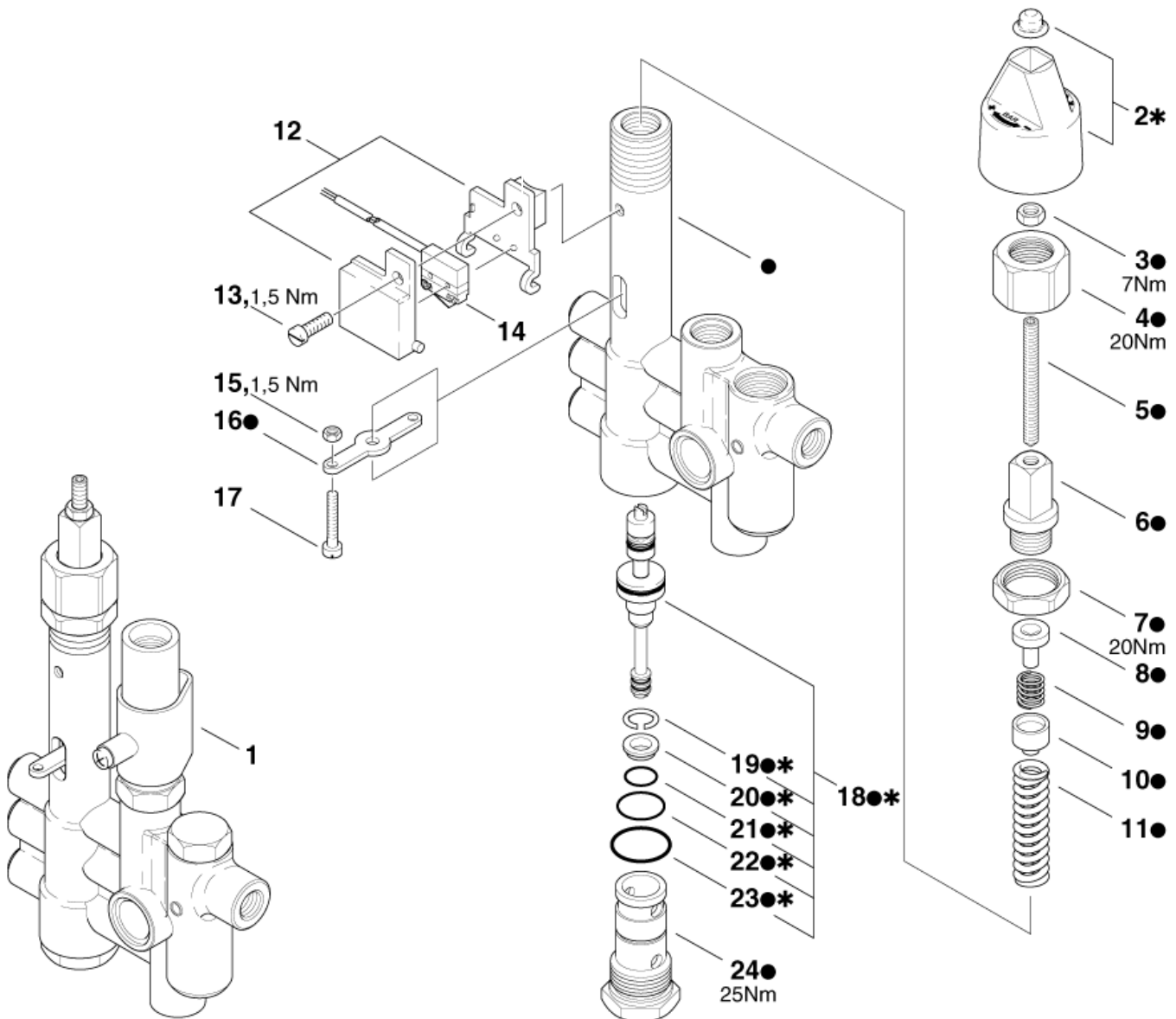
Control safety block (a)

NEPTUNE 3

22-02-2008

Part List ID
NEPT306

13



Control safety block (a)

NEPTUNE 3

22-02-2008

Part List ID
NEPT306

14

Pos	Part no.	Qty	Description		EAN
1	301001810	1	UNLOADER VALVE	includes o	4005337066
2	62397	1	ROTARY KNOB	*	4005337623
3	3136	1	NUT M 6 ZINC C	o	4005337031
4	62710	1	CAP NUT	o	4005337627
5	62711	1	PIN	o	4005337627
6	62712	1	BANJO	o	4005337627
7	62696	1	NUT	o	4005337626
8	62695	1	SEAT	o	4005337626
9	62713	1	SPRING	o	4005337627
10	62694	1	SEAT	o	4005337626
11	40972	1	SPRING	o	4005337409
12	62401	1	CASING FOR MICRO SWITCH		4005337624
13	3349	1	SCREW		4005337033
14	301000731	1	END SWITCH 250V		4005337691
15	2759	1	NUT		4005337027
16	62717	1	PLATE	o	4005337627
17	5076	1	SCREW M4 X 25		4005337050
18	64314	1	REPAIR KIT VALVE PISTON	o*	4005337643
19	909100001	1	SPRING	o*	4005337003
20	62708	1	SEAT	o*	4005337627
21	49461	1	O-RING	o*	4005337494
22	9523	1	O RING	o*	4005337095
23	32091	1	O RING	o*	4005337320
24	64301	1	HOLLOW SCREW M24X1.5	o	4005337643
25	301001850	1	REPAIR KIT UNLOADER VALVE	consisting of: *	4005337066

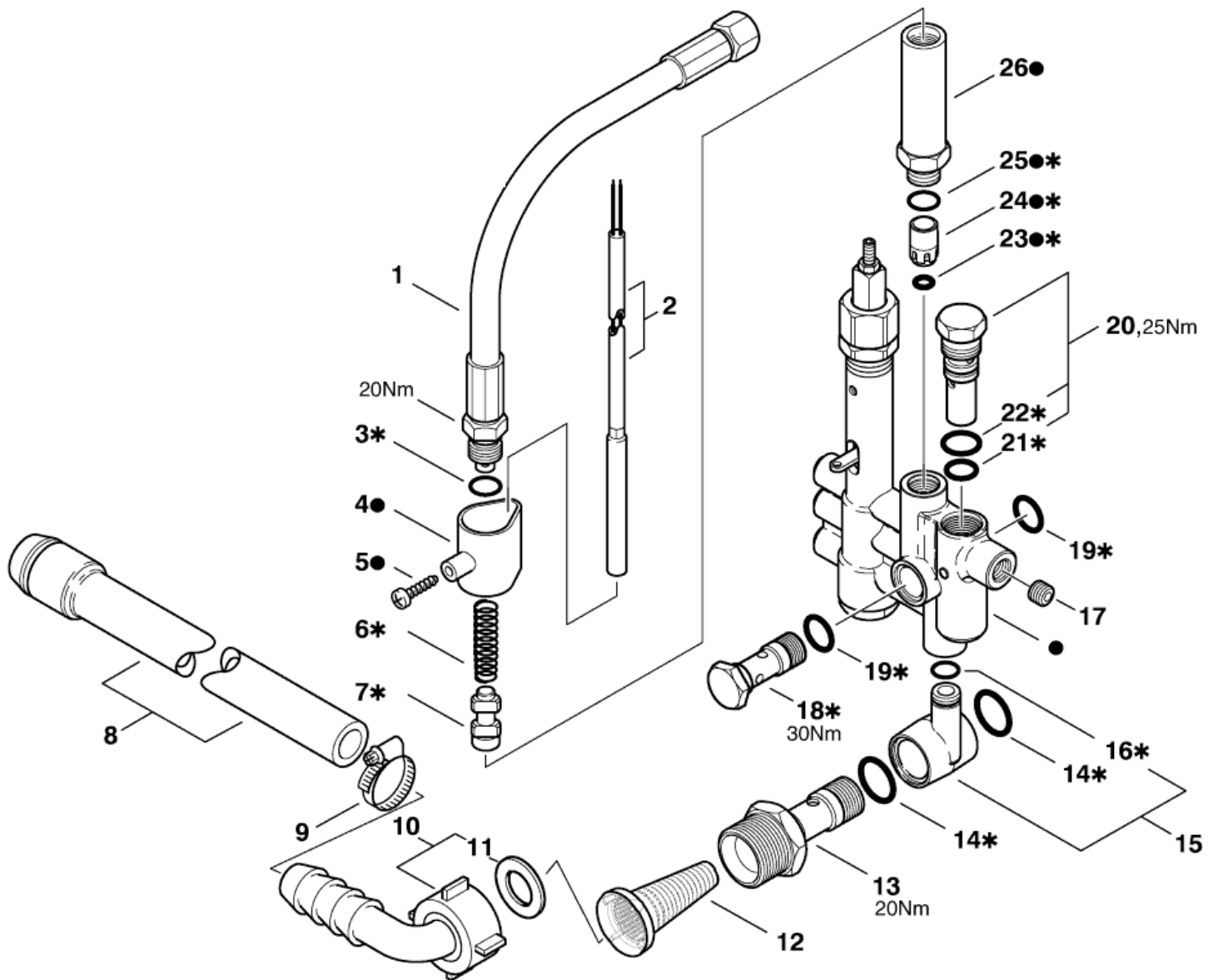
Control safety block (b)

NEPTUNE 3

22-02-2008

Part List ID
NEPT307

15



Control safety block (b)

NEPTUNE 3

22-02-2008

Part List ID
NEPT307

16

Pos	Part no.	Qty	Description		EAN
-	301001810	1	UNLOADER VALVE	includes o	4005337066
-	301001850	1	REPAIR KIT UNLOADER VALVE	consisting of: *	4005337066
1	301000854	1	HIGH PRESSURE HOSE 8 X 61 0		4005337022
2	301002458	1	REED CONTACT		4005337087
3	62706	1	O-RING	*	4005337627
4	62399	1	SHEATH	o	4005337623
5	10028	1	STEEL SCREW FOR SYNTH MAT	o	4005337100
6	6231	1	SPRING	*	4005337062
7	62724	1	PLUNGER	*	4005337627
8	301000713	1	SUCTION HOSE		4005337021
9	8298	1	JUBILEE CLIPS		4005337082
10	5613	1	ELBOW HOSE LINER		4005337056
11	15587	1	RUBBER SEAL WAS 9104		4005337155
12	62600	1	FILTER	up to 31. Oct. 2006	4005337626
13	301001297	1	HOLLOW SCREW G1/2IN-G3/4		4005337045
14	24347	2	O-RING 21 X 2.5		4005337243
15	301001296	1	RETURN LINE		4005337045
16	13739	1	O RING	*	4005337137
17	30993	1	PLUG G1/4		4005337309
18	62697	1	BANJO BOLT	*	4005337626
19	16443	2	RING	*	4005337164
20	301000911	1	SAFETY VALVE COMPLETE	3-38, 3-41	4005337023
20	62729	1	SAFETY VALVE 250 BAR	3-33, 3-33 CLASSIC	4005337627
20	62730	1	BANJO	3-17 CLASSIC, 3-20, 3-22, 3-23, 3-25, 3-26, 3-30,	4005337627
21	62706	1	O-RING	*	4005337627
22	16443	1	RING	*	4005337164
23	56519	1	O-RING	o*	4005337565
24	301000905	1	PISTON	o*	4005337023
25	16998	1	O-RING 14X1.5	o*	4005337169
26	62722	1	CASING	o	4005337627
27	301002394	1	FILTER 400µ	from 01. nov. 2006	4005337086

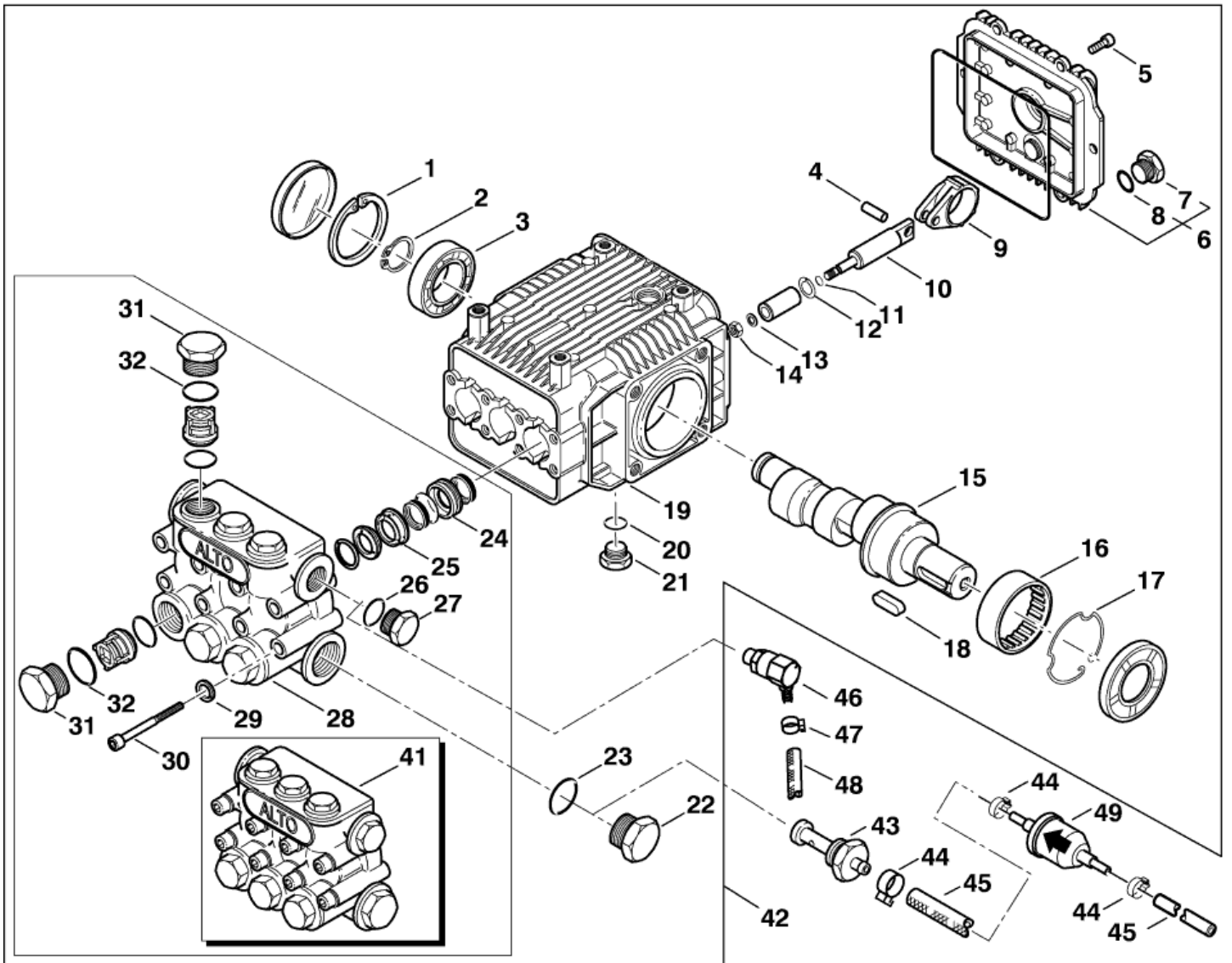
Pump

NEPTUNE 3

22-02-2008

Part List ID
NEPT308

17



Pump

NEPTUNE 3

22-02-2008

Part List ID
NEPT308

18

Pos	Part no.	Qty	Description	EAN
1	16396	1	CIRCLIP	4005337163
2	32524	1	SAFETY RING	4005337325
3	909100175	1	BALL BEARING	4005337049
4	301001555	3	BOLT NP3 PUMP	4005337052
5	4697	6	SCREW WAS 4350/ 9507	4005337046
6	301001158	1	COVER	4005337034
7	301001135	1	PLUG G3/8	4005337033
8	56554	1	O-RING	4005337565
9	301001561	3	CONNECTING ROD NP3 PUMP	4005337053
9	301001562	3	CONNECTING ROD 3-17 CLASSIC, 3-20	4005337052
10	301001560	3	PISTON ROD NP3-PUMP	4005337052
11	3004236	3	O-RING	5701715365
12	301001486	3	DISTANCE SPACER	4005337048
13	909100178	3	PACKING RING 8X13X0,5	4005337049
14	909100177	3	HEXAGON NUT M8/SW13X5	4005337049
15	301001576	1	CRANKSHAFT FOR M4 13.20 3-17 CLASSIC, 3-20, 3-25,3-38 60Hz	4005337053
15	301001577	1	CRANKSHAFT NO.4 3-22, 3-23, 3-26, 3-30, 3-30 CLASSIC,	4005337053
15	301001578	1	CRANKSHAFT FOR PUMP NP3 1 3-33, 3-33 CLASSIC	4005337053
15	301001685	1	CRANKSHAFT NO.15 3-38 50Hz, 3-41	4005337066
15	301002413	1	CRANKSHAFT NO.5 3-26 60Hz	4005337104
16	909100174	1	ROLLER BEARING	4005337048
17	301001539	1	RETAINING RING 62/54X	4005337051
18	19639	1	FITTING KEY	4005337196
19	301001557	1	HOUSING NP3-PUMP	4005337052
20	56554	1	O-RING	4005337565
21	301001135	1	PLUG G3/8	4005337033
22	301001136	1	PLUG G1/2/SW24X17 3-17 CLASSIC, 3-22, 3-30 CLASSIC, 3-33 CLASSIC	4005337033
23	5127	1	RING	4005337051
24	301001592	3	THRUST COLLAR Ø15 AFT NP3 PUMP 3-17 CLASSIC, 3-20, 3-22, 3-23, 3-26, 3-30, 3-30 C	4005337054
24	301001593	3	THRUST COLLAR Ø18 NP3- 3-25, 3-38, 3-41	4005337054
25	301001558	3	THRUST COLLAR 3-17 CLASSIC, 3-20, 3-22, 3-23, 3-26, 3-30, 3-30 C	4005337052
25	301001559	3	THRUST COLLAR Ø18 NP3- 3-25, 3-38, 3-41	4005337052
26	56554	1	O-RING	4005337565
27	301001135	1	PLUG G3/8	4005337033
28	301001589	1	VALVE BLOCK 3-17 CLASSIC, 3-20	4005337052
28	301001590	1	CYLINDER HEAD 15 MM PISTO 3-22, 3-23, 3-26, 3-30, 3-30 CLASSIC, 3-33, 3-33 C	4005337052
28	301001591	1	VALVE BLOCK 18MM PISTON 3-25, 3-38, 3-41	4005337052
29	909100188	8	LOCK WASHER 6	4005337052
30	909100184	8	HEXAGON SOCKET HEAD CAP S	4005337049
31	301001496	6	PLUG M22 SW21X22,5	4005337048
32	103004342	6	O-RING	5701715296
41	301001586	1	CYLINDER HEAD COMPLETE 3-17 CLASSIC, 3-20	4005337052
41	301001587	1	CYLINDER HEAD 15MM PISTON 3-22, 3-23, 3-26, 3-30, 3-30 CLASSIC, 3-33, 3-33 C	4005337052

Pump

NEPTUNE 3

22-02-2008

Part List ID
NEPT308

19

Pos	Part no.	Qty	Description		EAN
41	301001588	1	VALVE BLOCK COMPL. Ø18MM	3-25, 3-39, 3-41	4005337052
42	301001298	1	PUMP NP3 09.15	3-22, 3-23, 3-26 50Hz, 3-30, 3-30 CLASSIC	4005337042
42	301001299	1	PUMP NP3 11.17 N 11 L/MIN 170B	3-33, 3-33 CLASSIC	4005337042
42	301001306	1	PUMP NP3 12.17	3-38 50Hz, 3-41	4005337042
42	301001458	1	PUMP M4	3-17 CLASSIC, 3-20	4005337045
42	301001902	1	PUMP NP3 10.17	3-25, 3-38 60Hz	4005337072
42	301002095	1	PUMP NP3 08.15	3-26 60Hz	4005337077
43	301002403	1	HOLLOW SCREW	3-17 CLASSIC Option, 3-20, 3-22 Option, 3-23, 3-25	4005337088
43	301002404	1	HOLLOW SCREW G1/2 Ø15,4 POM INSTAL.	3-33, 3-38, 3-41	4005337088
44	11654	1	HOSE CLAMP	3-17 CLASSIC Option, 3-20, 3-22 Option, 3-23, 3-25	4005337116
45	4973	1	CHEMICAL HOSE	3-17 CLASSIC Option, 3-20, 3-22 Option, 3-23, 3-25	4005337049
46	301003109	1	EASY START VALVE MODIFIED		4005337130
47	7239	1	HOSE CLIP		4005337072
48	9175	1	HOSE		4005337091
49	301002926	1	FILTER		4005337122

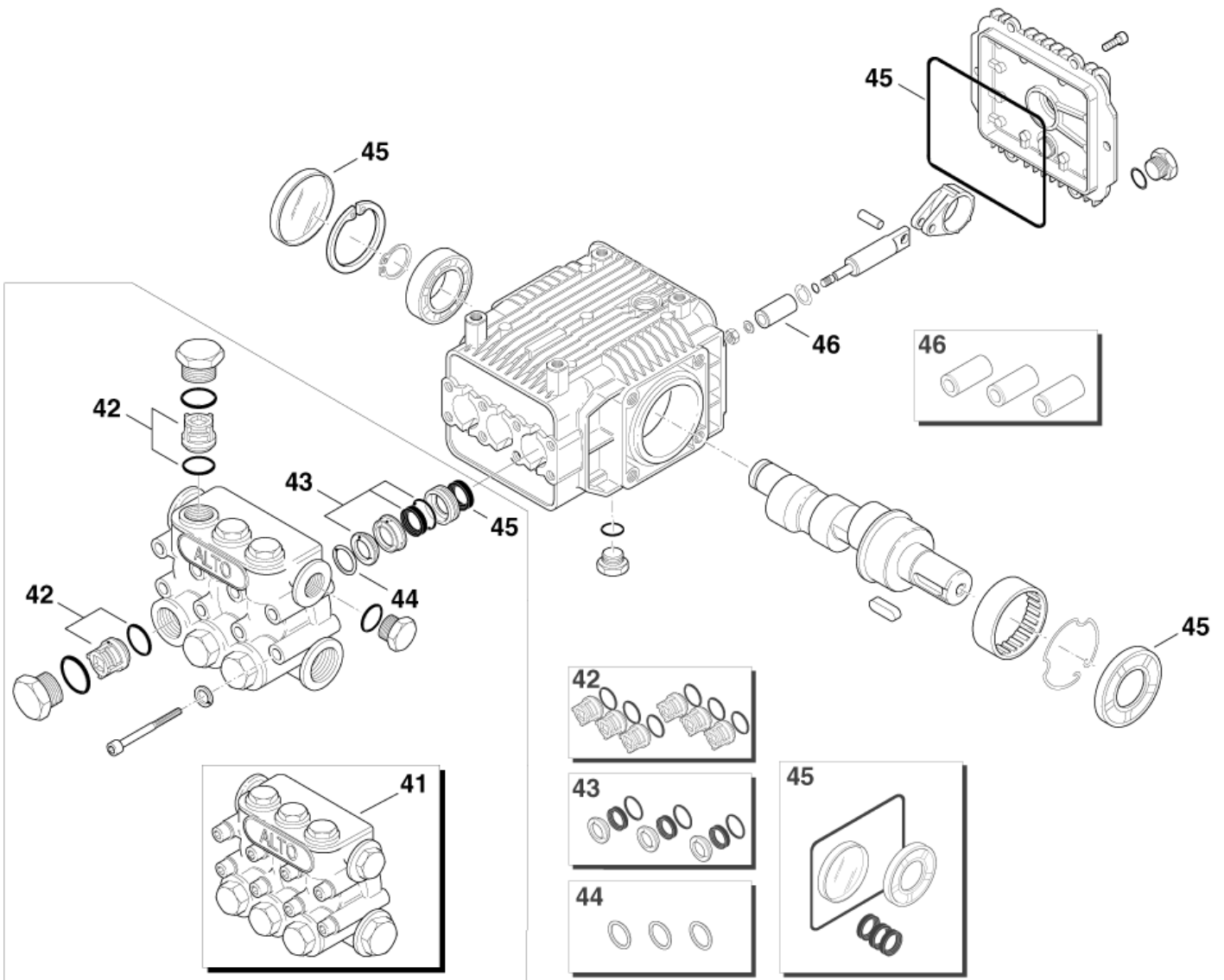
Pump kits

NEPTUNE 3

22-02-2008

Part List ID
NEPT309

20



Pump kits

NEPTUNE 3

22-02-2008

Part List ID
NEPT309

21

Pos	Part no.	Qty	Description		EAN
41	301001586	1	CYLINDER HEAD COMPLETE	3-17 CLASSIC, 3-20	4005337052
41	301001587	1	CYLINDER HEAD 15MM PISTON	3-22, 3-23, 3-26, 3-30, 3-30 CLASSIC, 3-33, 3-33 C	4005337052
41	301001588	1	VALVE BLOCK COMPL. Ø18MM	3-25, 3-38, 3-41	4005337052
42	301001494	1	VALVE SET		4005337048
43	301001489	1	SEAL SET	3-17 CLASSIC, 3-20, 3-22, 3-23, 3-26, 3-30, 3-30 C	4005337048
43	301001490	1	KIT PISTON SEALING Ø18	3-25, 3-38, 3-41	4005337048
44	301001492	1	BEARING RING SET	3-17 CLASSIC, 3-20, 3-22, 3-23, 3-26, 3-30, 3-30 C	4005337048
44	301001493	1	KIT SUPPORT RING Ø18 ^{ø3} NEW ARTICLE	3-25, 3-38, 3-41	4005337048
45	301001491	1	SEAL SET		4005337048
46	301001487	1	PISTON SET Ø15	3-17 CLASSIC, 3-20, 3-22, 3-23, 3-26, 3-30, 3-30 C	4005337048
46	301001488	1	KIT PISTON Ø18	3-25, 3-38, 3-41	4005337048

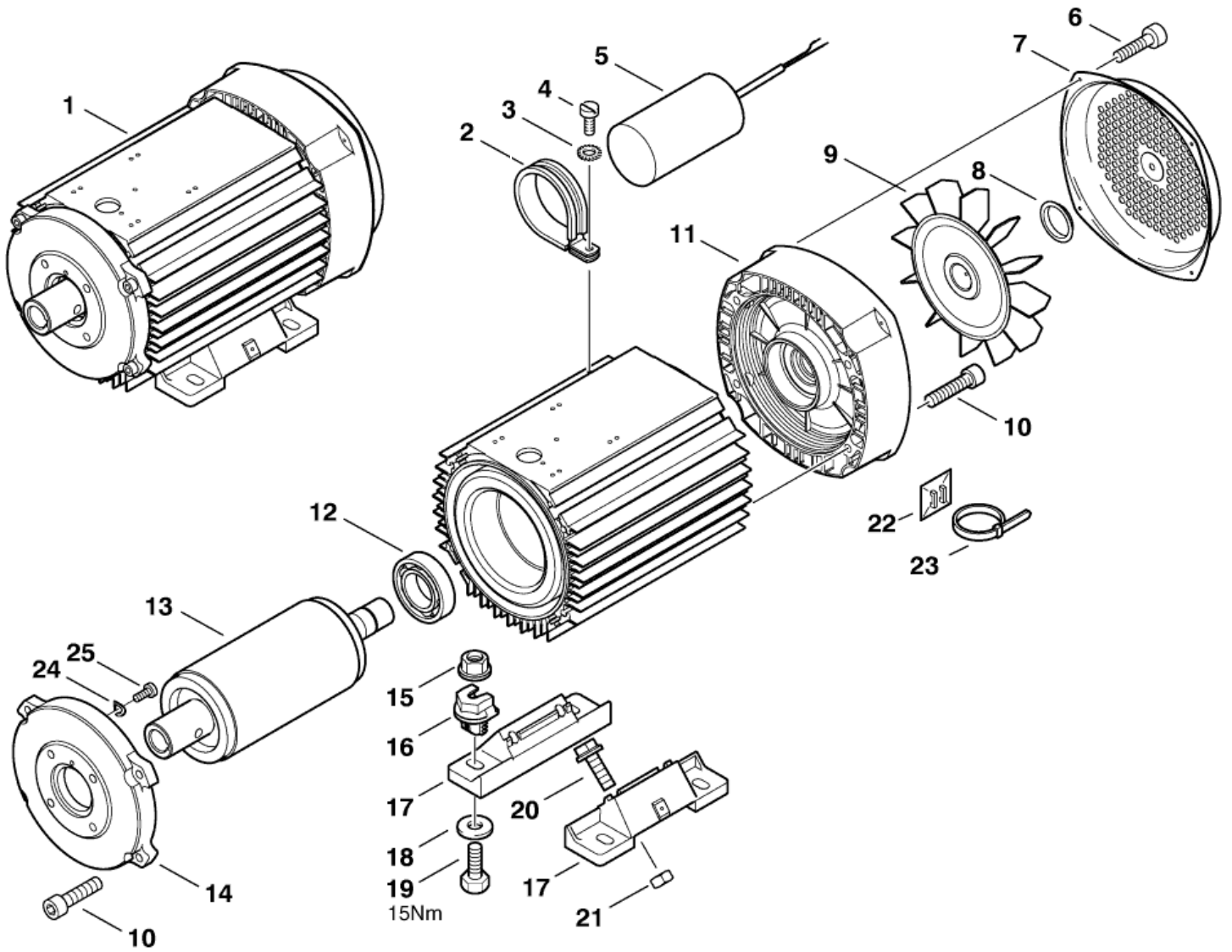
Motor

NEPTUNE 3

22-02-2008

Part List ID
NEPT310

22



Motor

NEPTUNE 3

22-02-2008

Part List ID
NEPT310

23

Pos	Part no.	Qty	Description		EAN
1	301001239	1	MOTOR 3,2KW 230/400	3-33, 3-33 CLASSIC	4005337038
1	301001240	1	MOTOR 4KW/230/400/3	3-41	4005337038
1	301001536	1	MOTOR 1,7KW 230V	3-22	4005337050
1	301001537	1	MOTOR 2,2KW 230V	3-23, 3-26, 3-30, 3-30 CLASSIC	4005337050
1	301001668	1	MOTOR 2,0KW/110/1	3-25 110V	4005337058
1	301001977	1	MOTOR 4KW/200/3	3-38	4005337069
1	301001978	1	MOTOR 1,4KW/120/1	3-20	4005337069
1	301002395	1	MOTOR 1KW/120/1	3-17 CLASSIC	4005337086
2	301001093	1	FASTENING CLIP D50,8X16,	3-20, 3-23, 3-25, 3-26, 3-30, 3-30 CLASSIC	4005337031
3	3376	1	O RINGS	3-20, 3-23, 3-25, 3-26, 3-30, 3-30 CLASSIC	4005337033
4	3348	1	SCREW	3-20, 3-23, 3-25, 3-26, 3-30, 3-30 CLASSIC	4005337033
5	301001017	1	CAPACITOR 60UF/450V	3-23, 3-25, 3-26, 3-30, 3-30 CLASSIC	4005337028
5	301001595	1	CAPACITOR 90ÆF/400V	3-20, 3-25 110V	4005337055
6	8822	4	SCREW WAS 3093		4005337088
7	301001116	1	FAN HOUSING	3-20, 3-23, 3-25, 3-26, 3-30, 3-30 CLASSIC, 3-33,	4005337032
7	301001726	1	FAN HOUSING MOTOR B0305 M	3-17 CLASSIC, 3-22	4005337059
8	301001112	1	FASTENING RING		4005337032
9	301001118	1	FAN WHEEL	3-20, 3-23, 3-25, 3-26, 3-30, 3-30 CLASSIC, 3-33,	4005337032
9	301001727	1	FAN WHEEL B0303 MOTOR MEC	3-17 CLASSIC, 3-22	4005337059
10	15045	8	CAP SCREW		4005337150
11	301001114	1	REAR BEARING COVER	3-20, 3-23, 3-25, 3-26, 3-30, 3-30 CLASSIC, 3-33,	4005337032
11	301001722	1	REAR BEARING COVER B0302	3-17 CLASSIC, 3-22	4005337059
12	6367	1	BALL BEARING 6206-2Z DIN6 25-1	3-20, 3-23, 3-25, 3-26, 3-30, 3-30 CLASSIC, 3-33,	4005337063
12	9934	1	ANTI FRICTION BEARING	3-17 CLASSIC, 3-22	4005337099
13	301001121	1	ROTOR FOR 2.2KW MOTOR	3-23, 3-25, 3-26, 3-30, 3-30 CLASSIC	4005337032
13	301001662	1	ROTOR MOTOR 1,4KW	3-20	4005337058
13	301001666	1	ROTOR MOTOR 2.0KW	3-25 110V	4005337058
13	301001719	1	ROTOR 1,7KW MOTOR 1PH MEC	3-22	4005337059
13	301001720	1	ROTOR 3,2KW MOTOR 3PH MEC	3-33, 3-33 CLASSIC	4005337059
13	301001721	1	ROTOR MOTOR 4KW	3-38, 3-41	4005337059
13	301002508	1	ROTOR MOTOR 1.0KW	3-17 CLASSIC	4005337104
14	301001120	1	MOTOR FLANGE	3-20, 3-23, 3-25, 3-26, 3-30, 3-30 CLASSIC, 3-33,	4005337032
14	301001723	1	MOTOR FLANGE B0307 MEC 90	3-17 CLASSIC, 3-22	4005337059
15	61467	4	NUT		4005337614
16	301001269	4	HOLDER NUT M8		4005337052
17	301001127	2	MOTOR FOOT H51MM	3-25 110V	4005337033
17	301001724	2	MOTOR FOOT 39MM HIGH MEC1	3-20, 3-23, 3-25, 3-26, 3-30, 3-30 CLASSIC, 3-33,	4005337059
17	301001725	2	MOTOR FOOT 44MM MEC100	3-17 CLASSIC, 3-22	4005337059
18	2793	4	WASHER		4005337027
19	2751	4	BOLT		4005337027
20	27372	4	SCREW M8X20		4005337273
21	6052	4	HEX.NUT		4005337060
22	2423	1	ADHESIVE CLIP	from 01. Oct. 2006	4005337024

Motor

NEPTUNE 3

22-02-2008

Part List ID
NEPT310

24

Pos	Part no.	Qty	Description		EAN
23	15884	1	CABLE STRAP 4,7X1,3X350	from 01. Oct. 2006	4005337158
24	1801182	4	SPRING WASHER M8		5701715027
25	1803949	4	SCREW		5701715028

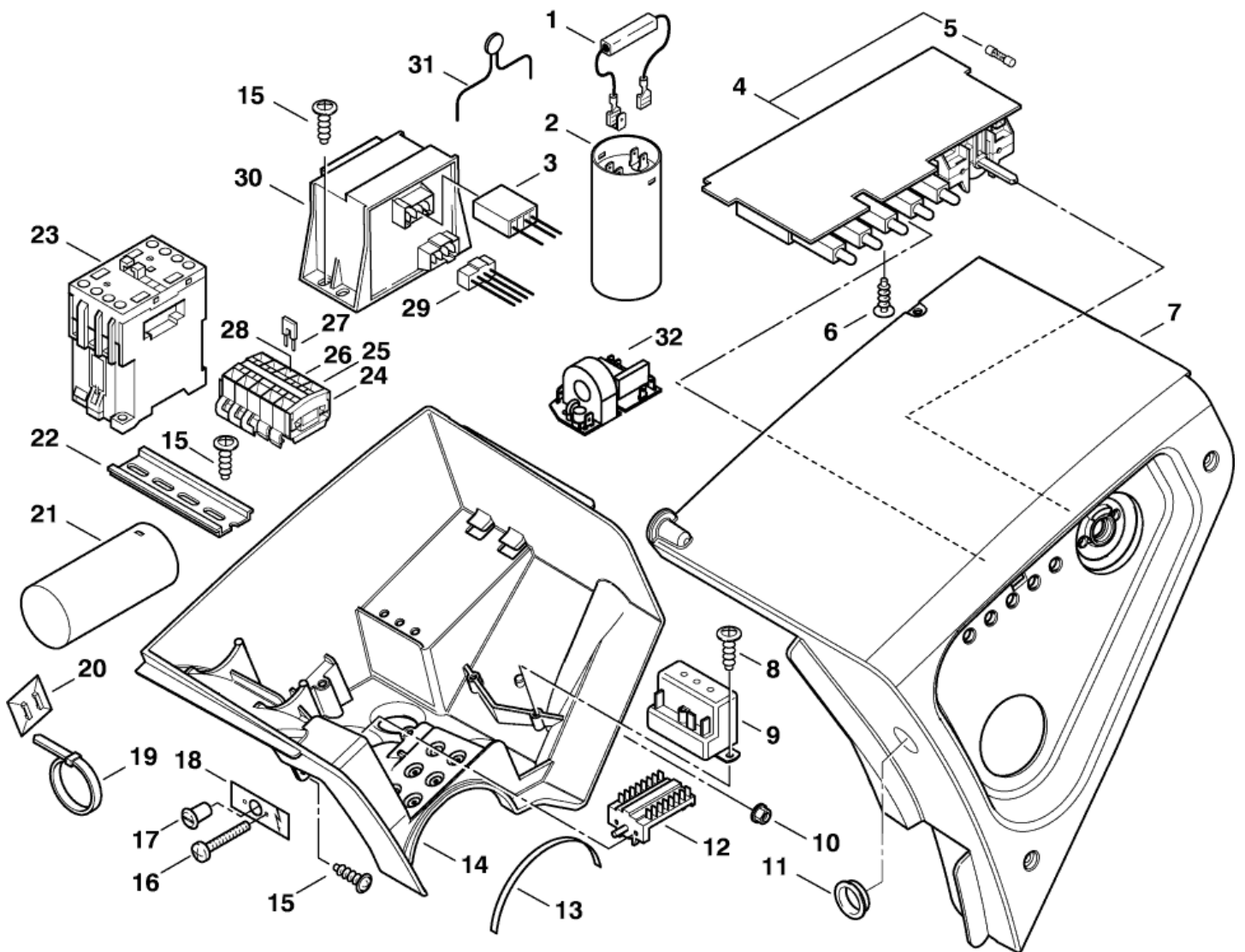
Electric box (a)

NEPTUNE 3

22-02-2008

Part List ID
NEPT311

25



Electric box (a)

NEPTUNE 3

22-02-2008

Part List ID
NEPT311

26

Pos	Part no.	Qty	Description		EAN
1	301000402	1	RESISTOR	3-17, 3-20, 3-23, 3-25, 3-26, 3-30, 3-30 CLASSIC	4005337680
2	301001056	1	STARTING CAPACITOR 98UF 3 30V	3-17, 3-20, 3-23, 3-25, 3-26, 3-30, 3-30 CLASSIC	4005337030
3	301001236	1	CABLE TRANSFO 2-POL, PRIM	3-17 CLASSIC, 3-20, 3-22, 3-23, 3-25, 3-26, 3-30,	4005337038
3	301001237	1	WIRE 2-POL./400V	400/3/50 3-33, 3-33 CLASSIC, 3-41 *EU*, 3-38 *JP*	4005337038
3	301001238	1	WIRE 3-POL.	230/400/3/50 3-33, 3-41 *BE*NO*	4005337038
4	301001230	1	MAIN CIRCUIT BOARD	3-17 CLASSIC, 3-22, 3-30 CLASSIC, 3-33 CLASSIC	4005337038
4	301001231	1	MAIN CIRCUIT BOARD	3-20, 3-23, 3-25, 3-26, 3-30, 3-33, 3-38, 3-41	4005337038
5	103821729	1	FUSE		5701715318
5	3812385	1	FUSE		5701715043
6	16860	1	SCREW		4005337168
7	301001212	1	COVER EL.BOX		4005337046
8	16860	2	SCREW	3-17, 3-20, 3-23, 3-25, 3-26, 3-30, 3-30 CLASSIC	4005337168
9	11060	1	KLIXON RELAY	3-17, 3-20, 3-23, 3-25, 3-26, 3-30, 3-30 CLASSIC	4005337110
10	12496	1	NUT		4005337124
11	63800	1	PLUG Ø24,3XØ26,4	230/400/3/50 3-33, 3-41 *BE*NO*	4005337638
12	301000293	1	SWITCH STAR-TRIANGLE 16A	230/400/3/50 3-33, 3-41 *BE*NO*	4005337672
13	301001811	1	GASKET 500X7X2		4005337066
14	301001210	1	ELECTRICAL CONTROL BOX		4005337043
15	10028	5	STEEL SCREW FOR SYNTH MAT		4005337100
16	40045	2	PAN HEAD SCREW M4X30	230/400/3/50 3-33, 3-41 *BE*NO*	4005337400
17	64580	1	ROTARY KNOB	230/400/3/50 3-33, 3-41 *BE*NO*	4005337645
18	64586	1	LABEL	230/400/3/50 3-33, 3-41 *BE*NO*	4005337645
19	15884	2	CABLE STRAP 4,7X1,3X350	3-22	4005337158
20	2423	2	ADHESIVE CLIP	3-22	4005337024
21	3821343	1	CAPICITOR	3-22	5701715044
22	22290	1	MOUNTING RAIL	PLEASE INDICATE LENGTHS IN METRES WHEN ORDERING	4005337222
23	301001228	1	CONTACTOR 100-M12NKD3 24	400/3/50 3-33, 3-33 CLASSIC, 3-41 *EU*, 3-22 *EU*G	4005337038
23	63903	1	CONTACTOR 100-C16KJ10	230/400/3/50 3-33, 3-41 *BE*NO*, 3-20, 3-25, 3-26	4005337639
23	63907	1	CONTACTOR 24V/50-60HZ	3-25 110V	4005337639
24	301000689	1	END PLATE 4MM		4005337691
25	301000688	1	WIRE TERMINAL	230/400/3/50 3-33, 3-41 *BE*NO*, 3-22, 3-23, 3-26,	4005337691
26	301000687	2	WIRE TERMINAL	3-22, 3-23, 3-26	4005337691
27	301000683	1	JUMPER	400/3/50 3-33, 3-33 CLASSIC, 3-41 *EU*	4005337691
28	301000686	2	WIRE TERMINAL		4005337691
29	301000722	1	WIRE		4005337691
30	301000681	1	TRANSFORMER 230V/400V		4005337691
30	301001059	1	TRANSFORMER 220AT 460V 24	3-26 60Hz	4005337030
30	301001060	1	TRANSFORMER 115V/200V 2	3-17 CLASSIC, 3-20, 3-38	4005337030
31	301002353	1	CURRENT LIMITER 5W	3-17, 3-20, 3-23, 3-25, 3-26, 3-30, 3-30 CLASSIC	4005337083
32	301001991	1	ELECTRONIC 1PH 24V AC	3-25 110V	4005337070

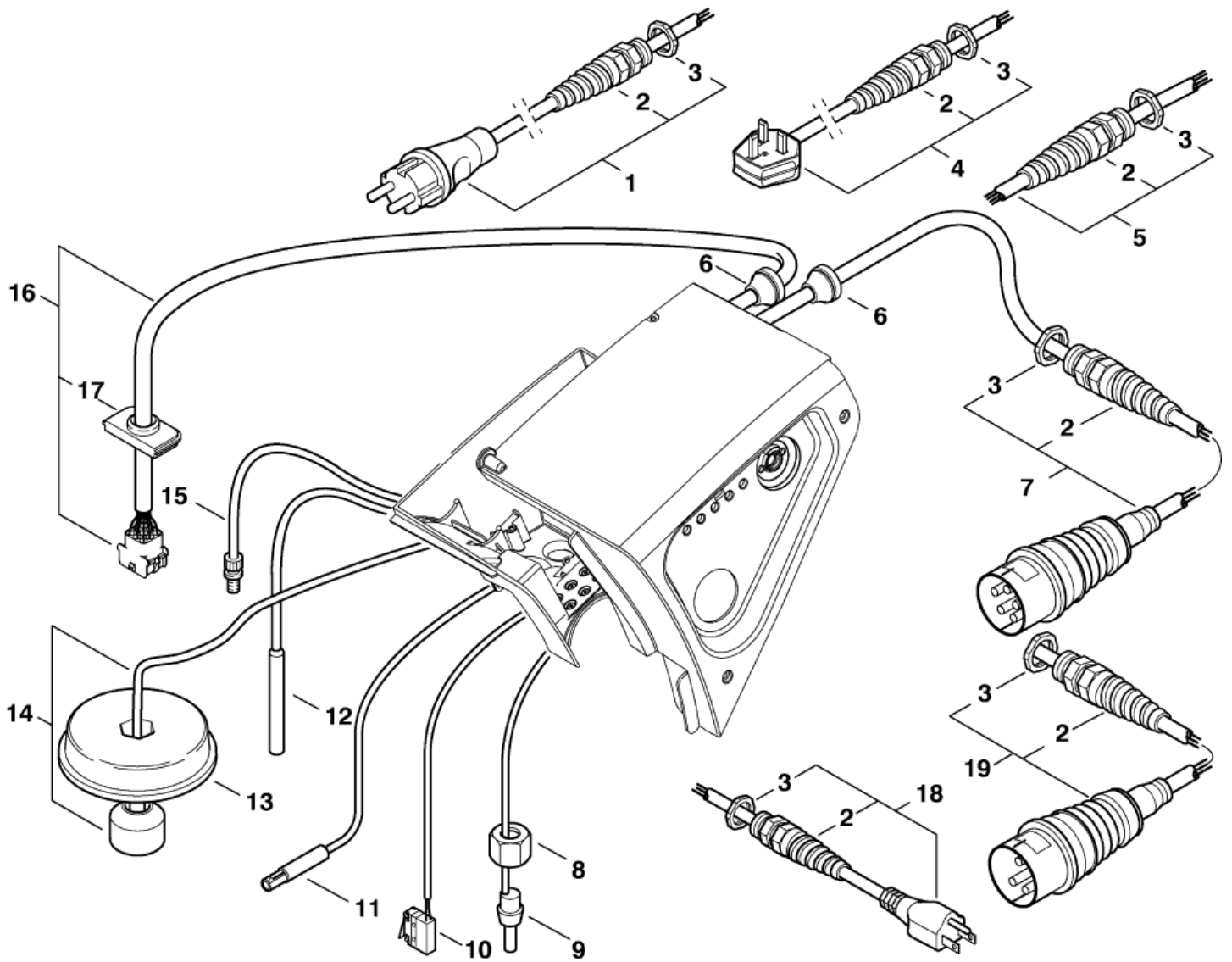
Electric box (b)

NEPTUNE 3

22-02-2008

Part List ID
NEPT312

27



Electric box (b)

NEPTUNE 3

22-02-2008

Part List ID
NEPT312

28

Pos	Part no.	Qty	Description		EAN
1	301000829	1	POWER CORD H07RN-F 3G1,5X6	230/1/50 3-22, 3-26 *EU*KR*	4005337021
2	909100043	1	CORD FIXING M20X1,5		4005337679
2	909100198	1	CORD FIXING M25X1,5	3-25 110V	4005337056
3	909100019	1	COUNTER NUT		4005337016
3	909100020	1	HEXAGON NUT M25X1,5	3-25 110V	4005337017
4	301000912	1	POWER CORD H07RN-F 3G1,5X NEW ARTICLE	230/1/50 3-22, 3-23 *GB*, 3-25	4005337023
5	301000833	1	POWER CORD H07RN-F 4G2,5X	230/400/3/50 3-33, 3-41 *BE*NO*	4005337021
5	301001913	1	POWER CORD VCT 4X2X11	3-38	4005337068
6	3803780	2	RUBBER SEAL TE 10-14C		5701715007
7	301000834	1	POWER CORD	400/3/50 3-33, 3-33 CLASSIC, 3-41 *EU*	4005337021
8	1081	1	CAP NUT		4005337010
9	301000730	1	TEMPERATURE SENSOR		4005337691
10	301000731	1	END SWITCH 250V		4005337691
11	301000729	1	FLAME SENSOR	Option	4005337691
12	301002458	1	REED CONTACT		4005337087
13	301000615	1	COVER	3-20, 3-23, 3-25, 3-26, 3-30, 3-33, 3-38, 3-41	4005337022
14	301001196	1	FLOAT SWITCH	3-20, 3-23, 3-25, 3-26, 3-30, 3-33, 3-38, 3-41	4005337035
15	301000732	1	THERMO FUSE 108 DEGREE C		4005337691
16	301000724	1	CORD MOTOR 9-POL.	3-25 110V	4005337691
16	301000725	1	CORD MOTOR 9-POL	3-38	4005337691
16	301000726	1	CORD MOTOR 7-POL. KLIXO	3-17, 3-20, 3-23, 3-25, 3-26, 3-30, 3-30 CLASSIC,	4005337691
16	301000727	1	CORD MOTOR 9-POL	400/3/50 3-33, 3-33 CLASSIC, 3-41 *EU*	4005337691
16	301000728	1	CORD MOTOR 9-POL. 230V/4	230/400/3/50 3-33, 3-41 *BE*NO*	4005337691
16	301001582	1	WIRE MOTOR	3-17 CLASSIC, 3-22 *EU*GB*	4005337052
17	17106	1	PLUG WAS 11579		4005337171
18	301002393	1	POWER CORD 3X11,5	3-17 CLASSIC	4005337086
18	3821142	1	POWER CORD SJTWA WG 12/3X11	3-30, 3-30 CLASSIC	5701715008
18	3821316	1	POWER CORD A WG12/3X11 SJTOW	3-20	4005337115
19	301001992	1	POWER CORD H07BQ-F 3G4X6	3-25 110V	4005337070

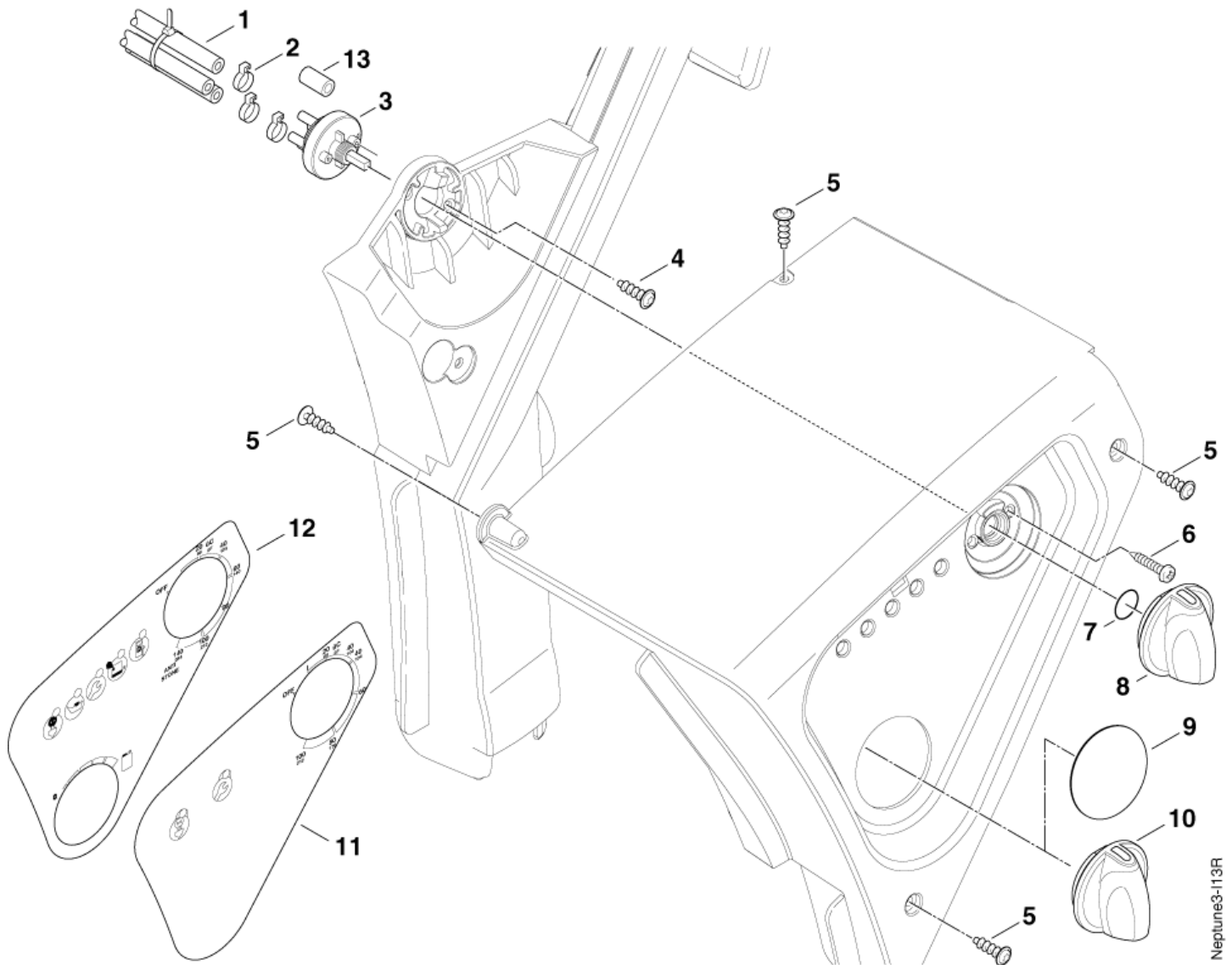
Cover electric box

NEPTUNE 3

22-02-2008

Part List ID
NEPT313

29



Cover electric box

NEPTUNE 3

22-02-2008

Part List ID
NEPT313

30

Pos	Part no.	Qty	Description		EAN
1	4973	1	CHEMICAL HOSE	PLEASE INDICATE LENGTHS IN METRES WHEN ORDERING	4005337049
2	11654	3	HOSE CLAMP		4005337116
3	301001000	1	VALVE		4005337028
4	1814730	2	SCREW 30X10B		5701715363
5	1814614	5	SCREW FOR CABINET 30HA		5701715208
6	19527	2	COUNTERSUNK SCREW M4X10		4005337195
7	9868	1	O RING		4005337098
8	909100204	1	ROTARY KNOB		4005337689
9	301001681	1	COVER PLATE Ø52,5X4	3-17 CLASSIC, 3-22, 3-30 CLASSIC, 3-33 CLASSIC	4005337066
10	909100214	1	ROTARY KNOB	3-20, 3-23, 3-25, 3-26, 3-30, 3-33, 3-38, 3-41	4005337026
11	301001226	1	LABEL-OPERATION NEPTUNE 3	3-17 CLASSIC, 3-22, 3-30 CLASSIC, 3-33 CLASSIC	4005337046
12	301001227	1	LABEL	3-20, 3-23, 3-25, 3-26, 3-30, 3-33, 3-38, 3-41	4005337046
13	301001906	1	CLOSING CAP		4005337068

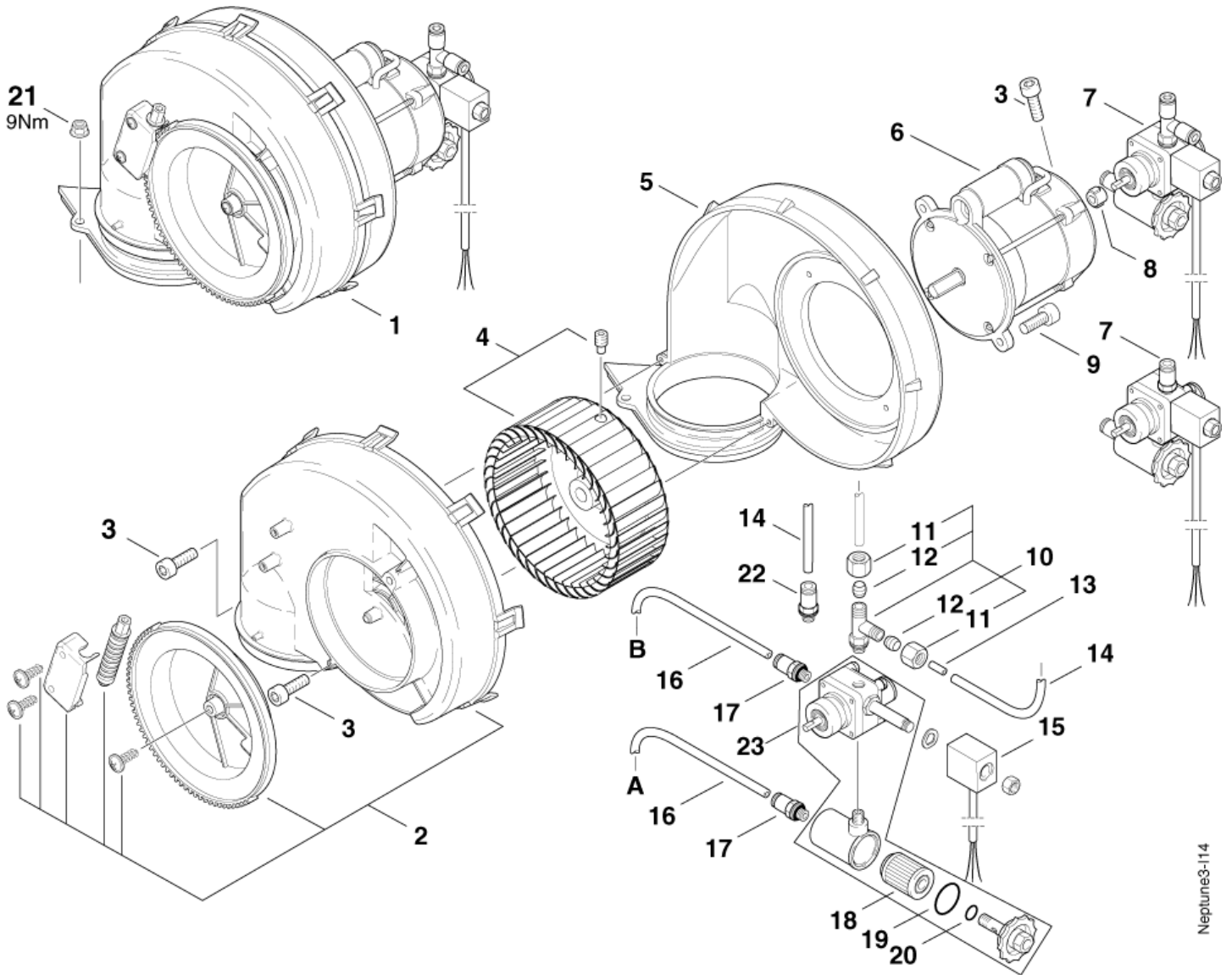
Burner unit

NEPTUNE 3

22-02-2008

Part List ID
NEPT314

31



Burner unit

NEPTUNE 3

22-02-2008

Part List ID
NEPT314

32

Pos	Part no.	Qty	Description		EAN
1	301000908	1	FAN HOUSING	*EU*BE*NO* 3-22, 3-26, 3-33, 3-33 CLASSIC, 3-41	4005337023
1	301001358	1	BURNER FAN HOUSING "KEROSIN"	*GB* 230V 3-22, 3-23, 3-25	4005337041
1	301001377	1	BURNER FAN HOUSING COMPL. "KEROSIN"	3-17 CLASSIC, 3-20, 3-25 110V	4005337041
1	301001395	1	BURNER FAN HOUSING COMPL. "KEROSIN"	3-26 60 Hz, 3-30, 3-30 CLASSIC, 3-38	4005337041
2	301000852	1	COVER FAN HOUSING		4005337022
3	32535	3	HEXAGONAL BOLT WAS 6406		4005337325
4	301000889	1	BURNER FAN		4005337023
4	301002126	1	FAN WHEEL Ø146X62	3-17 CLASSIC, 3-20, 3-25 110V	4005337078
5	301000495	1	HOUSING		4005337022
6	301000880	1	BURNER MOTOR 180/250W/11 0V/50-60HZ	3-17 CLASSIC, 3-20, 3-25 110V	4005337022
6	301000881	1	BURNER MOTOR 390W/200-22	3-26 60Hz, 3-30, 3-30 CLASSIC, 3-38	4005337022
6	301000882	1	BURNER MOTOR 180W 230V		4005337023
7	301002131	1	FUEL PUMP 24V	*EU*BE*NO* =>31.03.2005]	4005337078
7	301002131	1	FUEL PUMP 24V	*EU*BE*NO* 01.04.2005=>	4005337078
7	301002133	1	FUEL PUMP 24V	*GB*US*KR*JP* 01.04.2005=>	4005337078
7	301002133	1	FUEL PUMP 24V	*GB*US*KR*JP* =>31.03.2005]	4005337078
8	1226	1	FUEL PUMP COUPLING		4005337012
9	4697	2	SCREW WAS 4350/ 9507		4005337046
10	909100142	1	THREADED JOINT	=>31.03.2005]	4005337025
11	1603430	2	UNION NUT	=>31.03.2005]	5701715024
12	1603448	2	CUTTING RING	=>31.03.2005]	5701715024
13	301000914	1	SUPPORT 4X14	3-23, 3-25, 3-26, 3-33, 3-41=>31.03.2005	4005337025
13	301001180	1	PLUG FOR ANTI SCALE VALVE	'=>31.03.2005] '3-22	4005337034
14	909100141	1	PIPE	PLEASE INDICATE LENGTHS IN METRES WHEN ORDERING	4005337023
15	60993	1	FUEL SOLENOID 24V		4005337609
16	17710	1	TUBE 6MM X 1METRE	PLEASE INDICATE LENGTHS IN METRES WHEN ORDERING	4005337177
17	29599	2	CONNECTION PIECE		4005337295
18	1756	1	OIL PUMP FILTER		4005337017
19	40907	1	O RING		4005337409
20	9868	1	O RING		4005337098
21	12496	2	NUT		4005337124
22	301002070	1	UNION PIECE	01.04.2005=>	4005337076
23	301002100	1	BASE-FUEL PUMP WITH FILTER		4005337079
23	301002101	1	BASE-FUEL PUMP WITH FILTER		4005337079

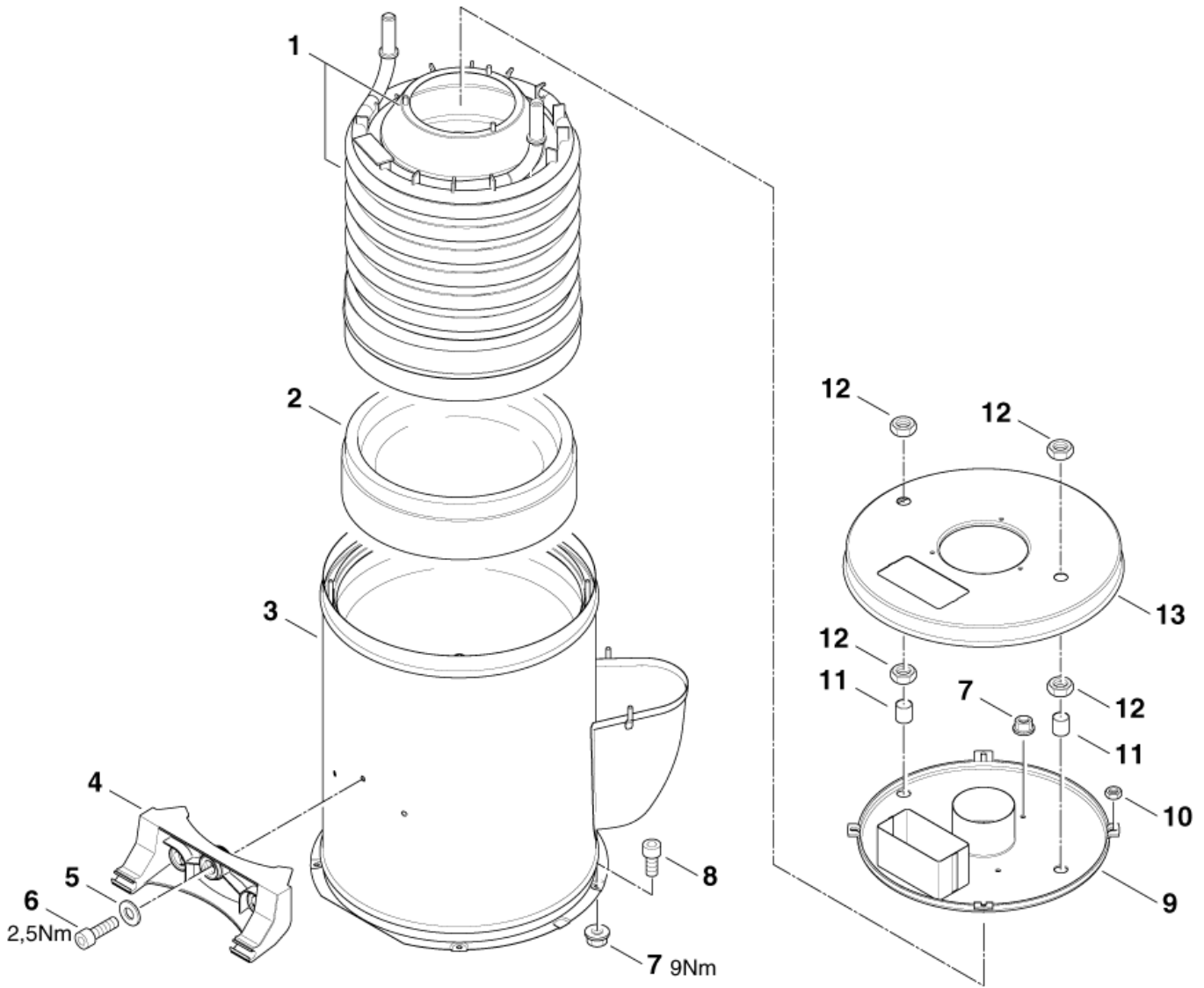
Heat exchanger

NEPTUNE 3

22-02-2008

Part List ID
NEPT315

33



Heat exchanger

NEPTUNE 3

22-02-2008

Part List ID
NEPT315

34

Pos	Part no.	Qty	Description		EAN
1	301001370	1	COIL STAINLESS NEPTUNE	Option	4005337052
1	301001371	1	CALORIFIER KIT NEPTUNE		4005337052
2	301001367	1	ISOLATION 310X79		4005337052
3	301001364	1	BOILER SHELL CPL. NEPTUNE		4005337052
4	301001260	1	CABINET HINGE		4005337043
5	2763	3	WASHER WAS 34987		4005337027
6	3873	3	CAP SCREW WAS 13654		4005337038
7	12496	7	NUT		4005337124
8	3913	4	BOLT		4005337039
9	301001773	1	BOILER COVER INNER		4005337061
10	12263	4	HEXAGON NUT M6		4005337031
11	301000582	2	BUSHING 22X1,5X24		4005337024
12	7012	4	FLAT NUT		4005337070
13	301000534	1	BOILER COVER		4005337031

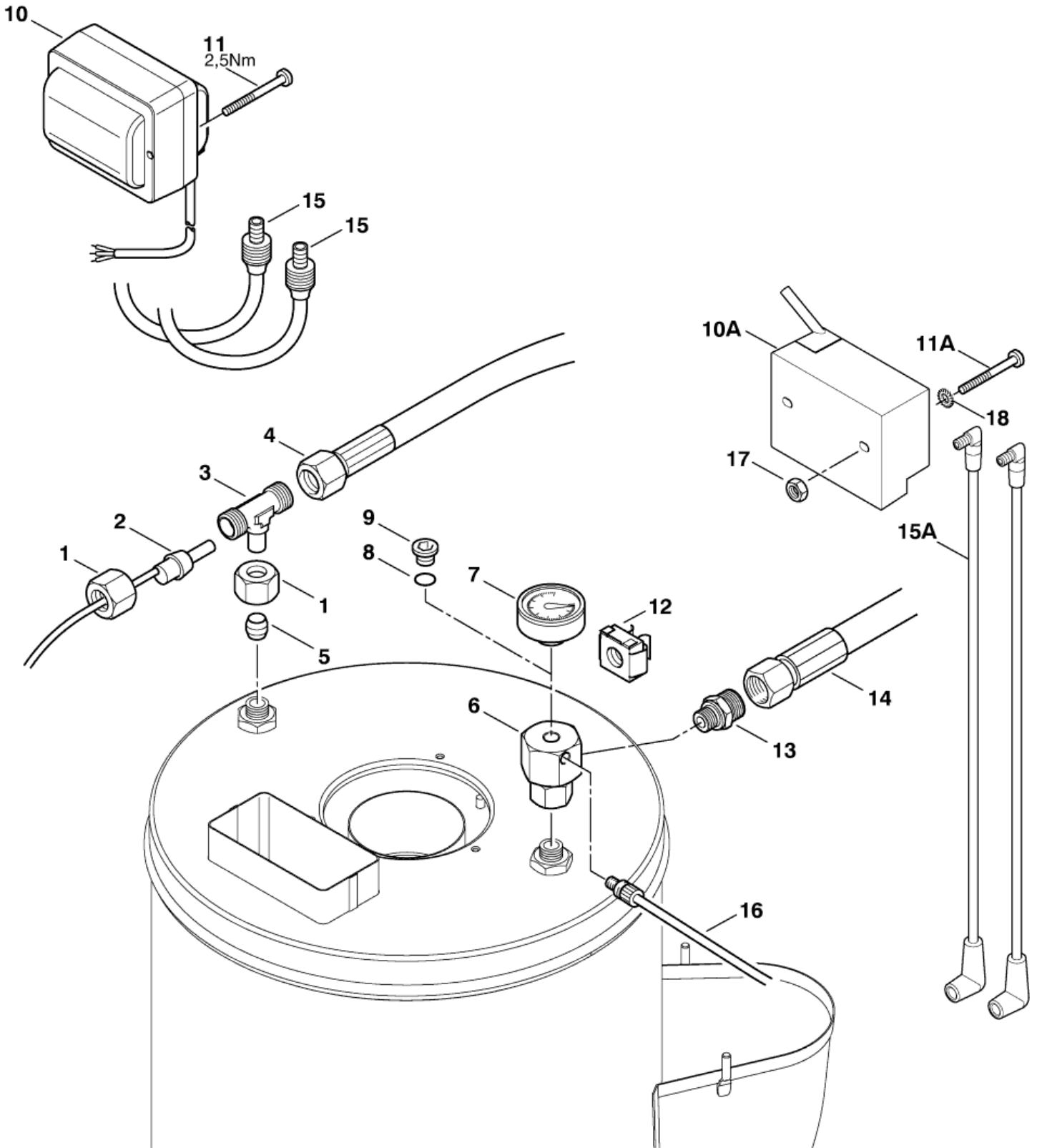
Distributor, ignition transformer

NEPTUNE 3

22-02-2008

Part List ID
NEPT316

35



Distributor, ignition transformer

NEPTUNE 3

22-02-2008

Part List ID
NEPT316

36

Pos	Part no.	Qty	Description		EAN
1	1081	2	CAP NUT		4005337010
2	301000730	1	TEMPERATURE SENSOR		4005337691
3	4102	1	T. PIECE		4005337041
4	301000855	1	HIGH PRESSURE HOSE 8X650		4005337022
5	1080	1	OLIVE (TAPER RING)		4005337010
6	301001280	1	DISTRIBUTOR		4005337049
7	301000246	1	MANOMETER 0-300 BAR P478K	3-20, 3-23, 3-25, 3-26, 3-30, 3-33, 3-38, 3-41	4005337671
8	1605	1	GASKET WAS 12088	3-17 CLASSIC, 3-22, 3-30 CLASSIC, 3-33 CLASSIC	4005337016
9	33047	1	SCREW PLUG	3-17 CLASSIC, 3-22, 3-30 CLASSIC, 3-33 CLASSIC	4005337330
10	301000879	1	IGNITION TRANSFORMER		4005337022
10	301002459	1	IGNITION TRANSFORMER 110/120V 50/60HZ	3-17, 3-20, 3-25 110V	4005337087
11	1809821	2	SCREW 50		5701715030
12	909100152	1	NUT M8		4005337031
13	3938	1	SCREW JOINT WAS 1038/ 383 9		4005337039
14	301000854	1	HIGH PRESSURE HOSE 8 X 61 0		4005337022
15	301000858	2	IGNITION CORD 7X500		4005337022
16	301000732	1	THERMO FUSE 108 DEGREE C		4005337691
17	2760	2	HEXAGON NUT	from feb. 2007 serial no. 2006190523	4005337027
18	3376	2	O RINGS	from feb. 2007 serial no. 2006190523	4005337033
10A	301002656	1	IGNITION TRANSFORMER 220-	from feb. 2007 serial no. 2006190523	4005337112
11A	42236	2	CHEESE HEAD SCREW	from feb. 2007 serial no. 2006190523	4005337422
15A	301002505	2	IGNITION CORD 7X500 WITH	from feb. 2007 serial no. 2006190523	4005337104

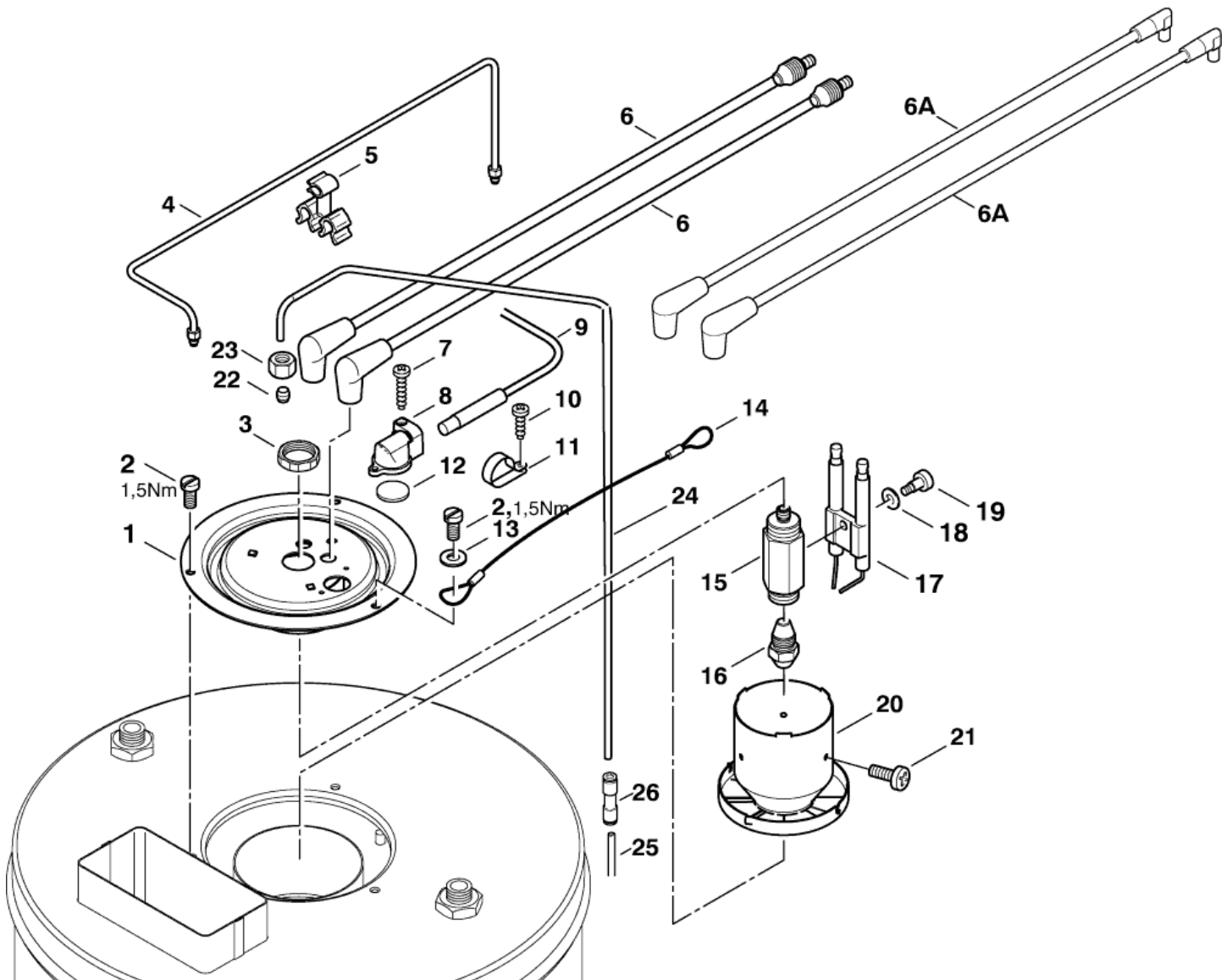
Burner head assy.

NEPTUNE 3

22-02-2008

Part List ID
NEPT317

37



Burner head assy.

NEPTUNE 3

22-02-2008

Part List ID
NEPT317

38

Pos	Part no.	Qty	Description		EAN
1	301000606	1	COVER		4005337022
2	4820	3	CAP SCREW		4005337048
3	909100139	1	HEXAGON NUT M20X1		4005337023
4	301001293	1	PIPE BENDED 4X100X339X67	=>31.03.2005	4005337048
5	301001073	1	HOLDER	=>31.03.2005	4005337031
6	301000858	2	IGNITION CORD 7X500		4005337022
7	5606	1	SHEET METAL SCREW		4005337056
8	301000934	1	HOLDER		4005337025
9	301000729	1	FLAME SENSOR	Option	4005337691
10	4036	1	SHEET SCREW		4005337040
11	301001069	1	HOLDER 4,8		4005337031
12	301000933	1	GLASS	See TSB MPW-073	4005337025
13	2763	1	WASHER WAS 34987		4005337027
14	301001680	1	ROPE		4005337060
15	301001548	1	FUEL NOZZLE HOLDER SW22X6 5.5		4005337059
16	2802445	1	OIL NOZZLE	3-30, 3-30 CLASSIC, 3-33, 3-33 CLASSIC, 3-38, 3-41	5701715036
16	2802712	1	NOZZLE 1,0 GAL/H 3,72KG/	3-17 CLASSIC, 3-20, 3-22, 3-23, 3-25, 3-26	5701715115
17	301150009	1	IGNITION ELECTRODE KIT		5701715296
18	909100144	1	SPRING WASHER		4005337025
19	909100143	1	SCREW		4005337026
20	301001278	1	AIR DISTRIBUTOR	3-30, 3-30 CLASSIC, 3-33, 3-33 CLASSIC, 3-38, 3-41	4005337047
20	301001683	1	AIR DISTRIBUTOR Ø80X59,2	3-17 CLASSIC, 3-20, 3-22, 3-23, 3-25, 3-26	4005337060
21	51848	3	SCREW		4005337518
22	1603448	1	CUTTING RING	01.04.2005=>	5701715024
23	1603430	1	UNION NUT	01.04.2005=>	5701715024
24	301002072	1	PIPE BENDED	01.04.2005=>	4005337077
25	909100141	1	PIPE	01.04.2005=> PLS. INDICATE LENGTH IN METRES	4005337023
26	301001912	1	UNION PIECE	01.04.2005=>	4005337068
6A	301002505	2	IGNITION CORD 7X500 WITH	from feb. 2007 serial no. 2006190523	4005337104

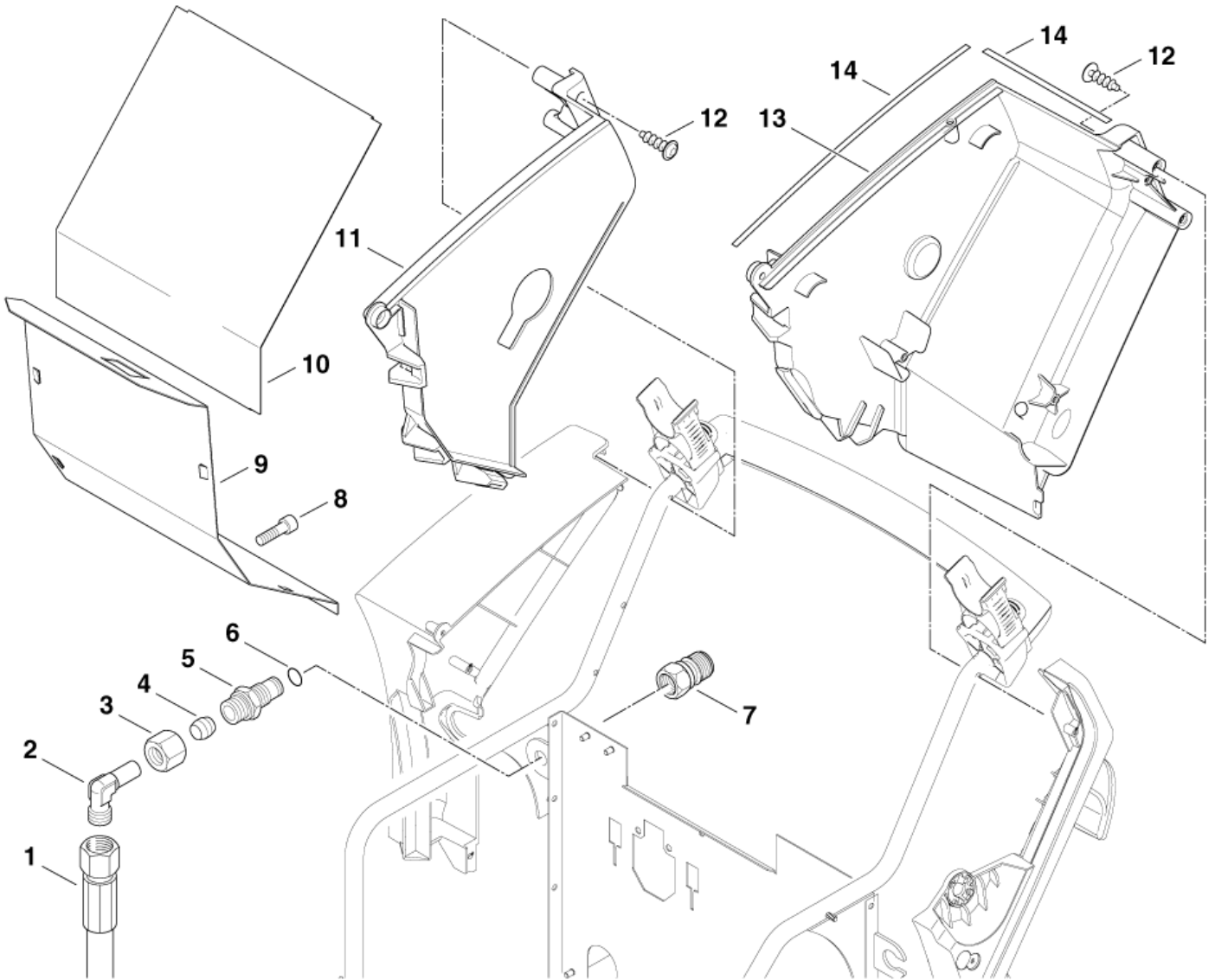
Basket

NEPTUNE 3

22-02-2008

Part List ID
NEPT318

39



Basket

NEPTUNE 3

22-02-2008

Part List ID
NEPT318

40

Pos	Part no.	Qty	Description		EAN
1	301000855	1	HIGH PRESSURE HOSE 8X650	Standard models	4005337022
2	1504	1	SCREW JOINT	Standard models	4005337015
3	1081	1	CAP NUT	Standard models	4005337010
4	1080	1	OLIVE (TAPER RING)	Standard models	4005337010
5	301000627	1	FITTING	Standard models	4005337021
6	42768	1	O-RING 11 2 X 1.8	Standard models	4005337427
7	1600493	1	QUICK COUPLING NIPPLE	Standard models	5701715023
8	3913	2	BOLT	Standard models	4005337039
9	301001254	1	SHEET METAL	Standard models	4005337047
10	301001255	1	SHEET METAL	Standard models	4005337047
11	301001190	1	HOSE REEL CABINET RIGHT	Standard models	4005337043
12	1814614	2	SCREW FOR CABINET 30HA	Standard models	5701715208
13	301001189	1	HOSE REEL CABINET LEFT	Standard models	4005337040
14	301001811	2	GASKET 500X7X2	Standard models	4005337066

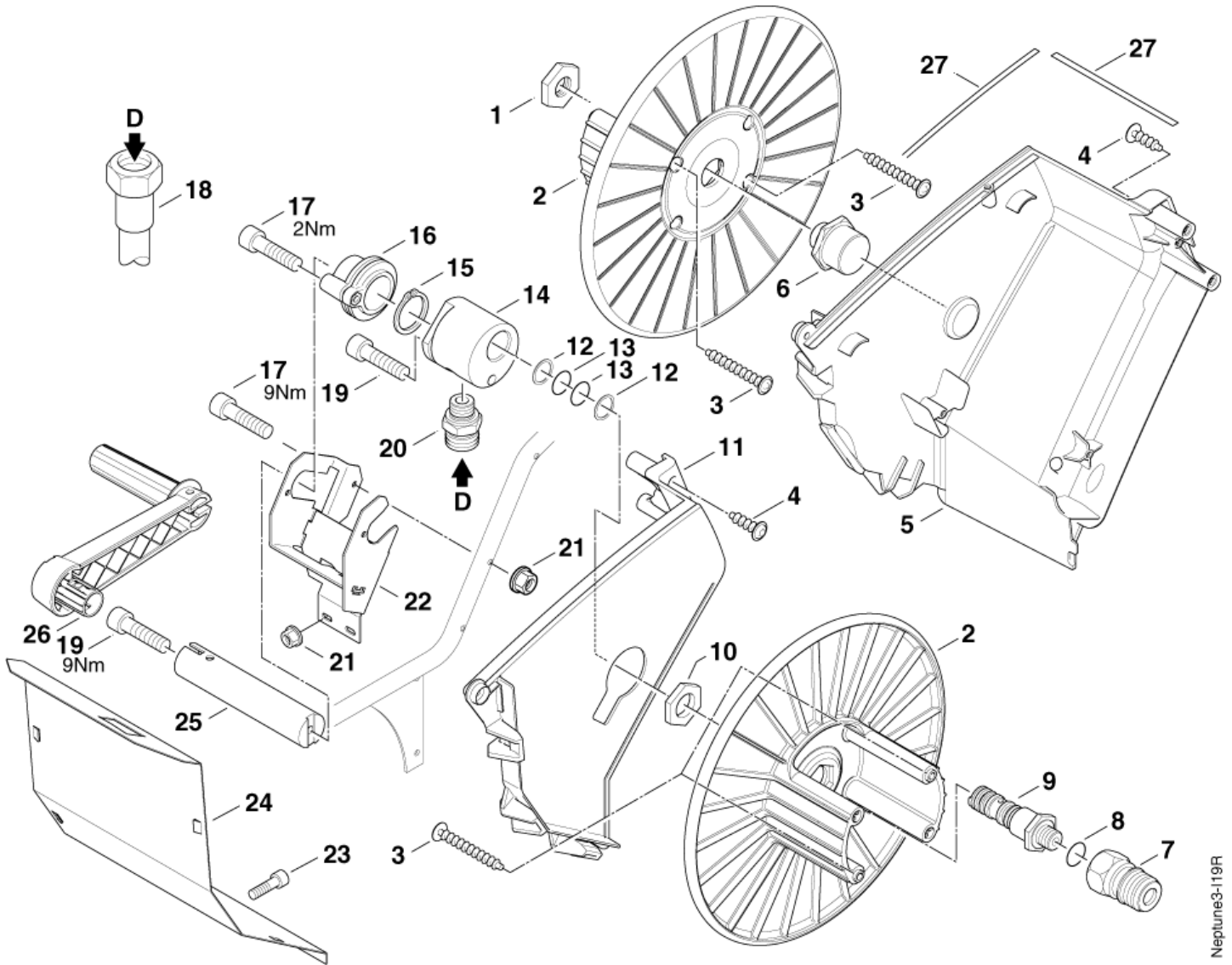
Hose reel

NEPTUNE 3

22-02-2008

Part List ID
NEPT319

41



Neptune3-119R

Hose reel

NEPTUNE 3

22-02-2008

Part List ID
NEPT319

42

Pos	Part no.	Qty	Description		EAN
1	909100145	1	HEXAGON NUT 6KT/G 3/8INX6	X-MODELS	4005337026
2	301000775	2	HOSE DRUM SECTION	X-MODELS	4005337024
3	909100153	4	SCREW 6X40	X-MODELS	4005337032
4	1814614	4	SCREW FOR CABINET 30HA	X-MODELS	5701715208
5	301001189	1	HOSE REEL CABINET LEFT	X-MODELS	4005337040
6	301001266	1	BEARING RIGHT G3/8"/SW30	X-MODELS	4005337042
7	1600493	1	QUICK COUPLING NIPPLE	X-MODELS	5701715023
8	1801075	1	TIGHTENING GASKET	X-MODELS	5701715027
9	301000976	1	HOLLOW SCREW	X-MODELS	4005337026
10	62696	1	NUT	X-MODELS	4005337626
11	301001190	1	HOSE REEL CABINET RIGHT	X-MODELS	4005337043
12	63792	2	BACK-UP RING	X-MODELS	4005337637
13	19620	2	O RING	X-MODELS	4005337196
14	301000624	1	HP-SWIRVEL HOUSING	X-MODELS	4005337022
15	32524	1	SAFETY RING	X-MODELS	4005337325
16	301000849	1	BEARING LEFT 50X33	X-MODELS	4005337022
17	5945	2	BOLT	X-MODELS	4005337059
18	301000855	1	HIGH PRESSURE HOSE 8X650	X-MODELS	4005337022
19	9570	2	BOLT	X-MODELS	4005337095
20	54590	1	FITTING	X-MODELS	4005337545
21	12496	3	NUT	X-MODELS	4005337124
22	301001257	1	FRAME HOSE-REEL	X-MODELS	4005337043
23	3913	1	BOLT	X-MODELS	4005337039
24	301001254	1	SHEET METAL	X-MODELS	4005337047
25	301001263	1	ADAPTER Ø28X140	X-MODELS	4005337042
26	301000733	1	CRANK	X-MODELS	4005337022
27	301001811	2	GASKET 500X7X2	X-MODELS	4005337066

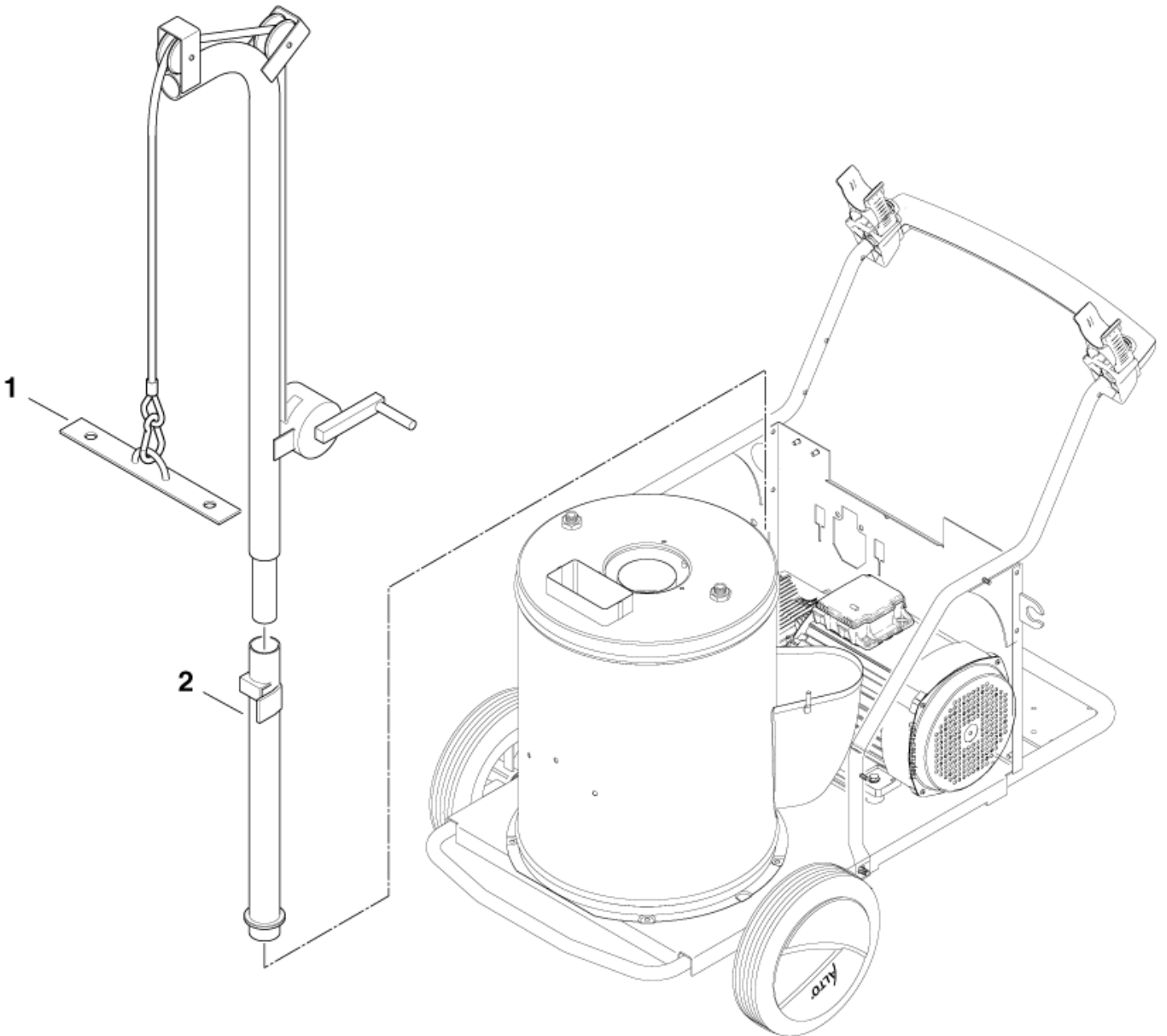
Service crane

NEPTUNE 3

22-02-2008

Part List ID
NEPT320

43



Service crane

NEPTUNE 3

22-02-2008

Part List ID
NEPT320

44

Pos	Part no.	Qty	Description	EAN
1	301001078	1	COIL LIFTING CRANE 301001267 or 301001804 also necessary	4005337031
2	301001804	1	SUPPORT	4005337067

Default accessories

NEPTUNE 3

22-02-2008

Part List ID
NEPT322

45

No Drawing For Part List

Default accessories

NEPTUNE 3

22-02-2008

Part List ID
NEPT322

46

Pos	Part no.	Qty	Description	EAN
1	101119496	1	REPAIR KIT (M.FCOUP/RESTR ICT)	5701715304
1	101119737	1	TORNADO KIT (RING/NOZZLE 0370)	3-26 5701715324
1	101119738	1	TORNADO KIT (RING/NOZZLE 0400)	3-22, 3-33, 3-41 5701715324
1	101119740	1	TORNADO KIT (RING/NOZZLE 0450)	(3-38 JP, 60Hz) 5701715324
1	101119741	1	TORNADO KIT (RING/NOZZLE 0500)	3-25, (3-38 JP, 50Hz) 5701715324
1	101405770	1	10M HP HOSE 5/16IN DN8 DB WIRE	5701715330
1	106402121	1	TORNADO 3000 LANCE 92CM	5701715324
1	301001100	1	15M HP HOSE 5/16IN DN8 DB WIRE	4005337031
1	301002410	1	SPRAY HANDLE ERGO 1000 ST STANDARD	4005337088
1	301002411	1	SPRAY HANDLE "ERGO 1000 V VARIO PRESS	4005337090

Total check kits, recommended spare parts
NEPTUNE 3

22-02-2008

Part List ID
NEPT3REC

47

No Drawing For Part List

Total check kits, recommended spare parts NEPTUNE 3

22-02-2008

Part List ID
NEPT3REC

48

Pos	Part no.	Qty	Description	EAN
	301001949	1	SERVICE KIT 'A' NEPTUNE	4005337069
	301001950	1	TOTALCHECK N3-22 EU	4005337069
	301001951	1	TOTALCHECK N3-23	4005337069
	301001952	1	SERVICE KIT 'B' NEPTUNE 3-41	4005337069
	301002012	1	SERVICE KIT 'B' NEPTUNE 3-22	4005337071
	301002013	1	SERVICE KIT 'B' NEPTUNE 3-25	4005337071
	301002014	1	SERVICE KIT 'B' NEPTUNE 3-33	4005337071