

FLOORTEC 380M



Part List

English

22-11-2007

Nilfisk
ALTO

Why Compromise

Table of Contents

FLOORTEC 380M

Base. Wheels. Container. Sidebroom	3
Brush roller. Round belt	5

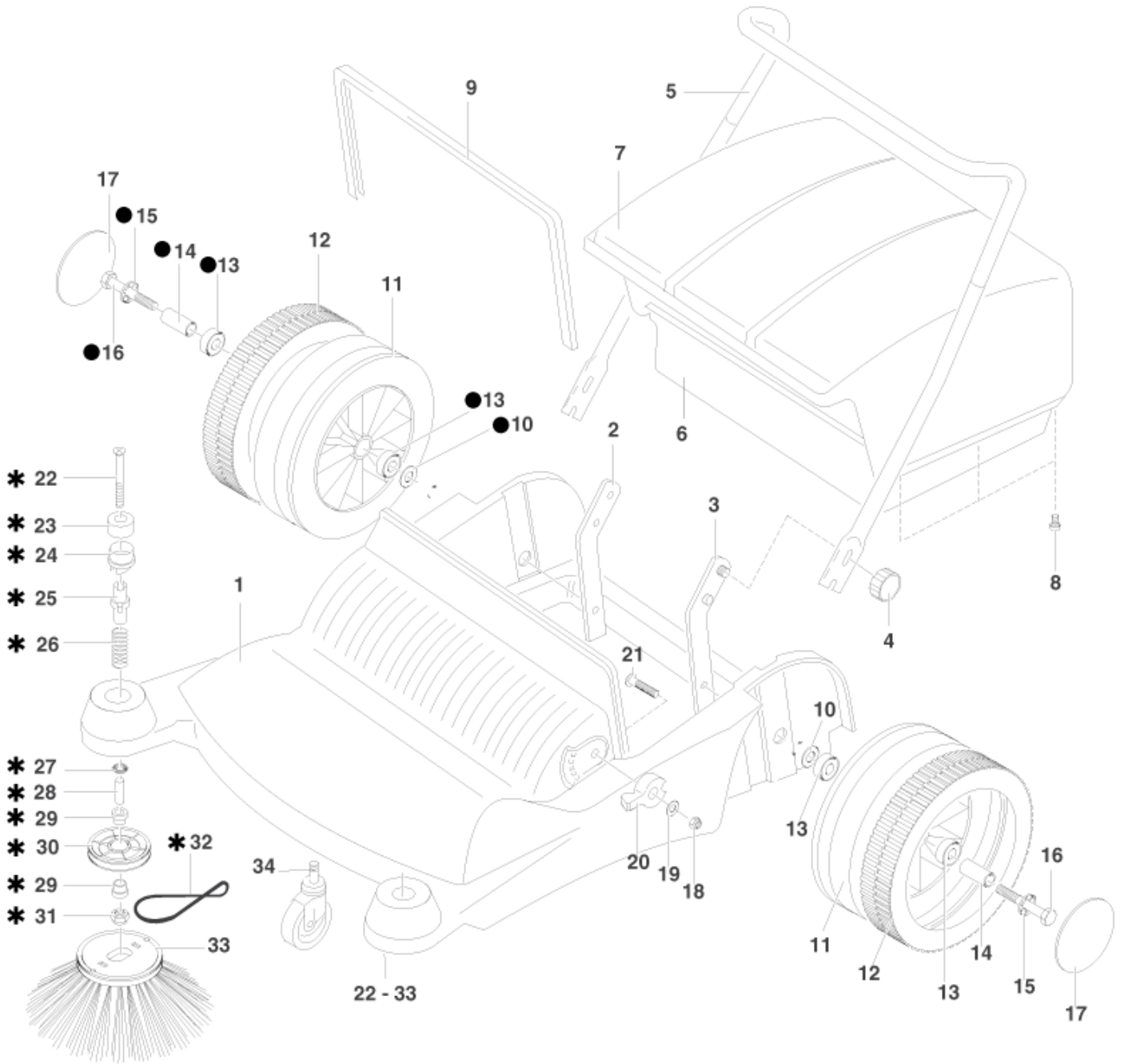
Base. Wheels. Container. Sidebroom

FLOORTEC 380M

22-11-2007

Part List ID
FLOORTEC01

3



FLOORTEC380M-I01

Base. Wheels. Container. Sidebroom

FLOORTEC 380M

22-11-2007

Part List ID
FLOORTEC01

4

Pos	Part no.	Qty	Description	EAN
1	303000293	1	BASE FRAME	4005337052
2	54776	1	RIGHT ATTACHMENT	4005337547
3	54777	1	LEFT ATTACHMENT	4005337547
4	40928	1	FASTENING KNOB	4005337409
5	54778	1	STEERING HANDLE	4005337547
6	303000294	1	CONTAINER LOWER PART	4005337052
7	303000295	1	CONTAINER UPPER PART	4005337052
8	34217	1	SCREW	4005337342
9	54781	1	PROFILED GASKET	4005337547
10	4827	2	DISC	4005337048
11	54783	2	WHEEL	4005337547
12	54799	2	PROFILE RUBBER Å?230	4005337547
15	10204	2	SERRATED LOCK WASHER A10	4005337102
17	54784	2	WHEEL CAP	4005337547
18	7417	1	HEXAGON NUT	4005337074
19	5166	1	WASHER	4005337051
20	54786	1	TENSION KNOB FOR BK8 X 2	4005337547
21	18562	1	CAP SCREW	4005337185
27	2762	2	WASHER	4005337027
31	6052	2	HEX.NUT	4005337060
32	54789	2	ROUND BELT	4005337547
33	303000296	2	FLOORTEC 380 SIDE BRUSH	4005337052
34	25572	1	CASTOR 50	4005337255
98	54782	2	BEARING SET (1 WHEEL)	includes o, 2XPOS.13, 1XPOS.10,14,15,16 4005337547
99	54788	2	BEARING SET (1 SIDE BROOM)	consisting of *, 2XPOS.29, 1XPOS.22,23,24,25,26,2 4005337547

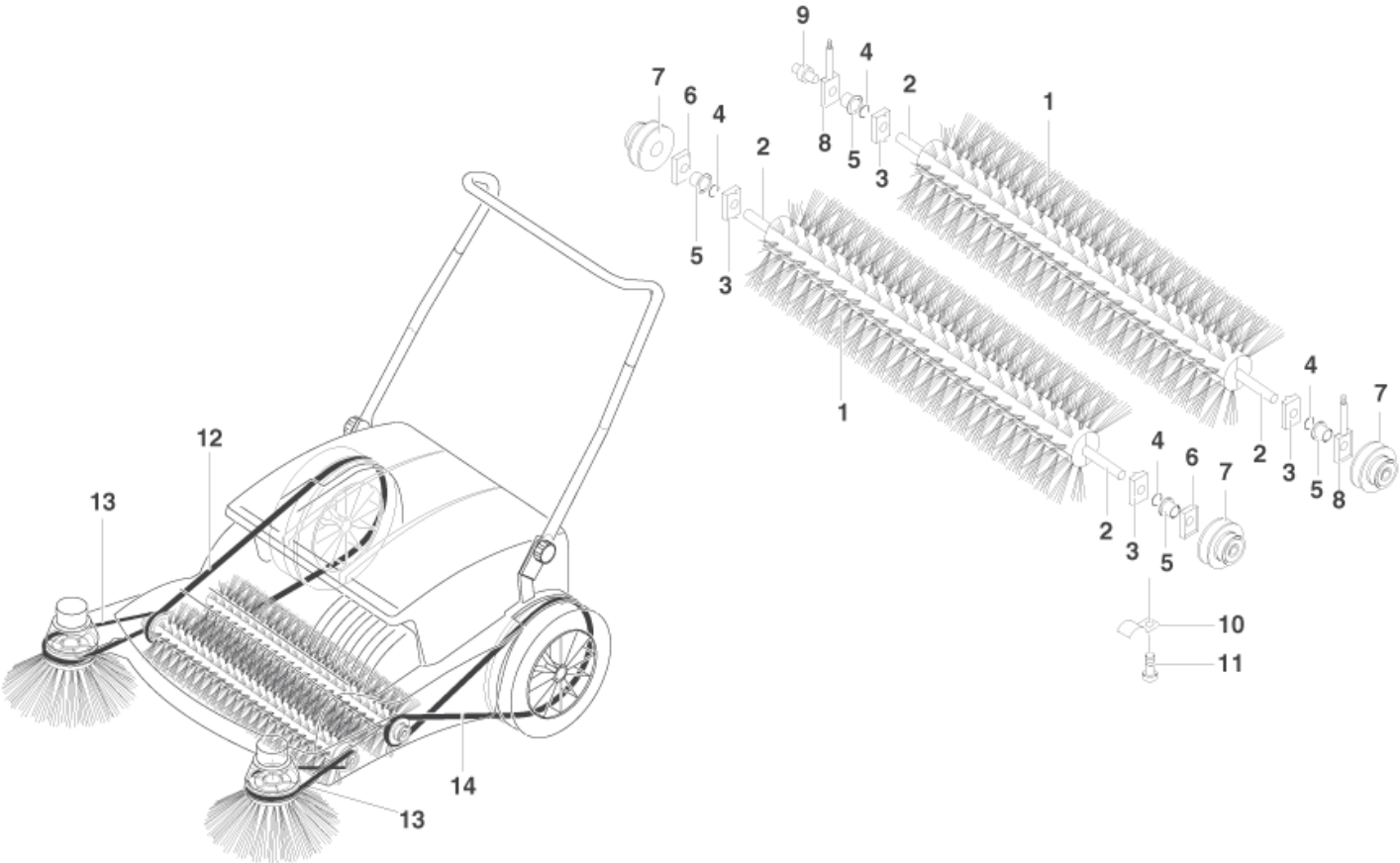
Brush roller. Round belt

FLOORTEC 380M

22-11-2007

Part List ID
FLOORTEC02

5



FLOORTEC380M-102

Brush roller. Round belt

FLOORTEC 380M

22-11-2007

Part List ID
FLOORTEC02

6

Pos	Part no.	Qty	Description	EAN
11	34217	2	SCREW	4005337342
12	54773	1	ROUND BELT. RIGHT SIDE	4005337547
13	54789	2	ROUND BELT	4005337547
14	54785	1	DRIVE BELTS (FOR BK8X2)	4005337547
97	54772	2	BRUSH ROLLER WITH SHAFT S	1XPOS.1, 2XPOS.2 4005337547
98	54774	1	FRONT BUSH BEARING SET	2XPOS.2,3,4,5,6,7,10,11 4005337547
99	54775	1	BACK BUSH BEARING	2XPOS.2,3,4,5,8, 1XPOS.7,9 4005337547